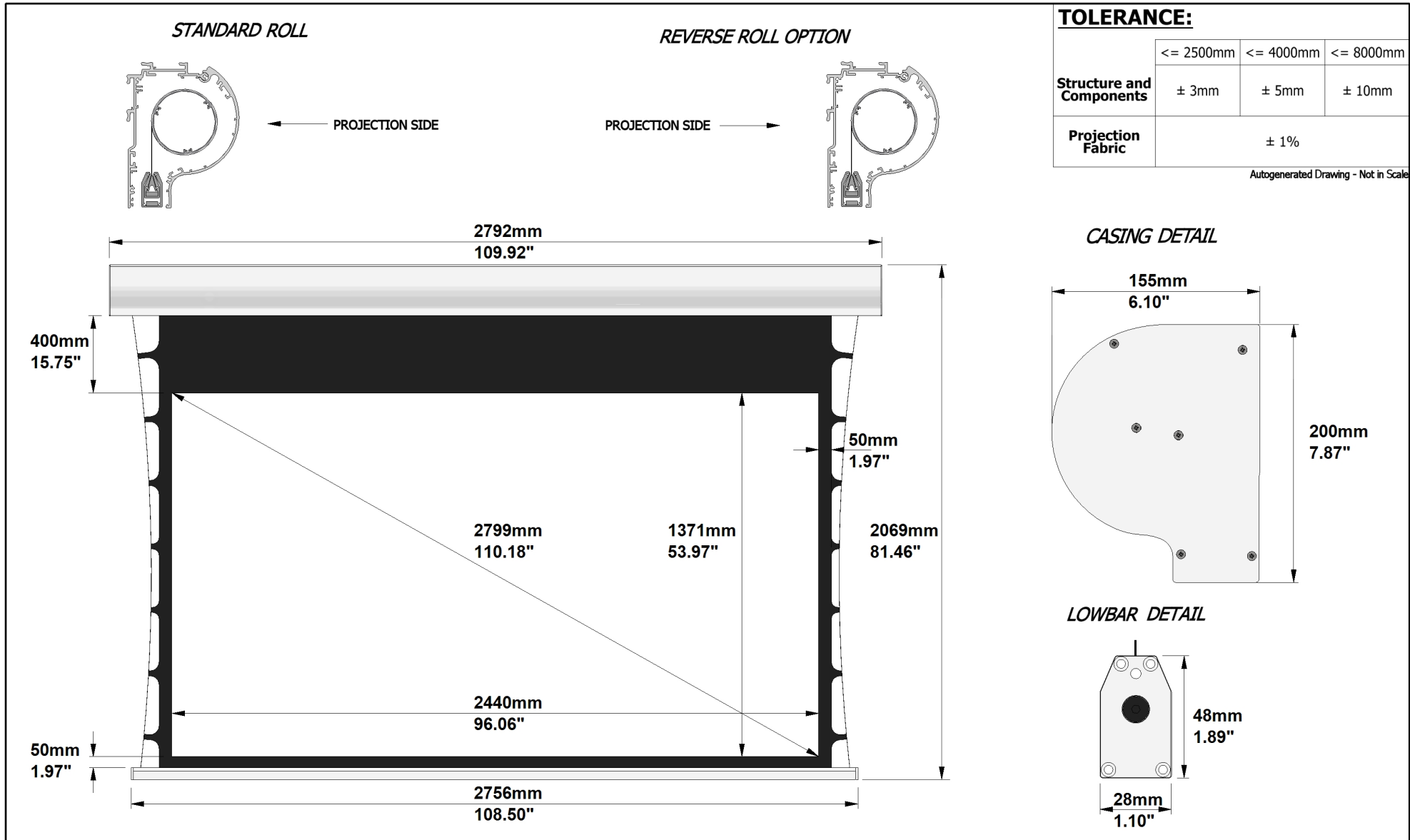


SCREEN CONFIGURATION SUMMARY

SCREEN: 4051408602927

DELUXX Cinema Electric High Contrast Screen Tension II 244 x 137 cm, 110" - DAYVISION ALR



TOLERANCE:

	<= 2500mm	<= 4000mm	<= 8000mm
Structure and Components	± 3mm	± 5mm	± 10mm
Projection Fabric	± 1%		

Autogenerated Drawing - Not in Scale

SCREEN CONFIGURATION SUMMARY

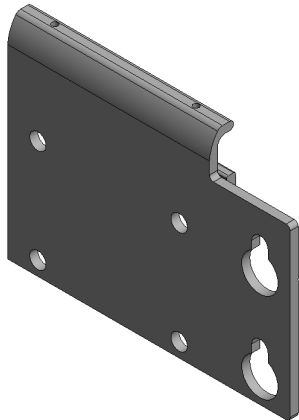
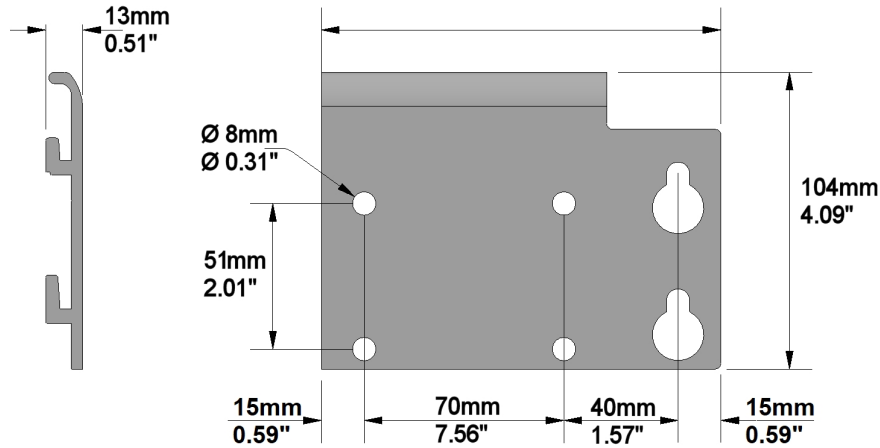
SCREEN: 4051408602927

DELUXX Cinema Electric High Contrast Screen Tension II 244 x 137 cm, 110" - DAYVISION ALR

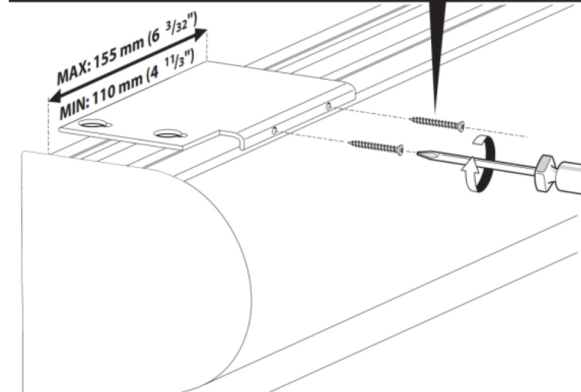
Autogenerated Drawing - Not in Scale

MOUNTING BRACKETS AND INSTALLATION VIEW:

QUANTITY OF BRACKETS FOR SCREEN
2



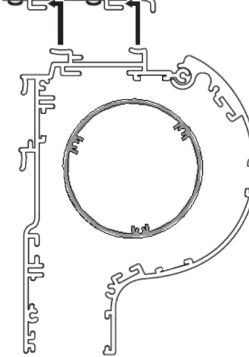
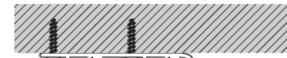
! IMPORTANT: BRACKET SECURING SCREWS MUST BE USED. NOT DOING SO RISKS CASING FALLING !



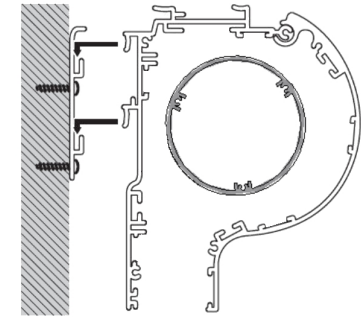
PACKAGING INFORMATION:

	SHIPPING DIMENSIONS				NUMBER OF BOXES	TOTAL SHIPPING WEIGHT	
	LENGTH	DEPTH	HEIGHT	PALLET HEIGHT		kg	lbs
mm	2872mm			110mm	1	kg	57.60
inches	113.07"			4.33"		lbs	126.72

MOUNTING OPTIONS:



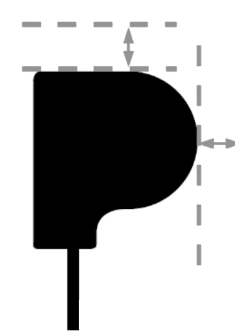
Ceiling Mounting



Wall Mounting

MINIMUM CLEARANCE FOR WALL OR CEILING MOUNTING:

Wall Mount:
min 0.51"
min 13mm



Ceiling Mount:
min 0.51"
min 13mm