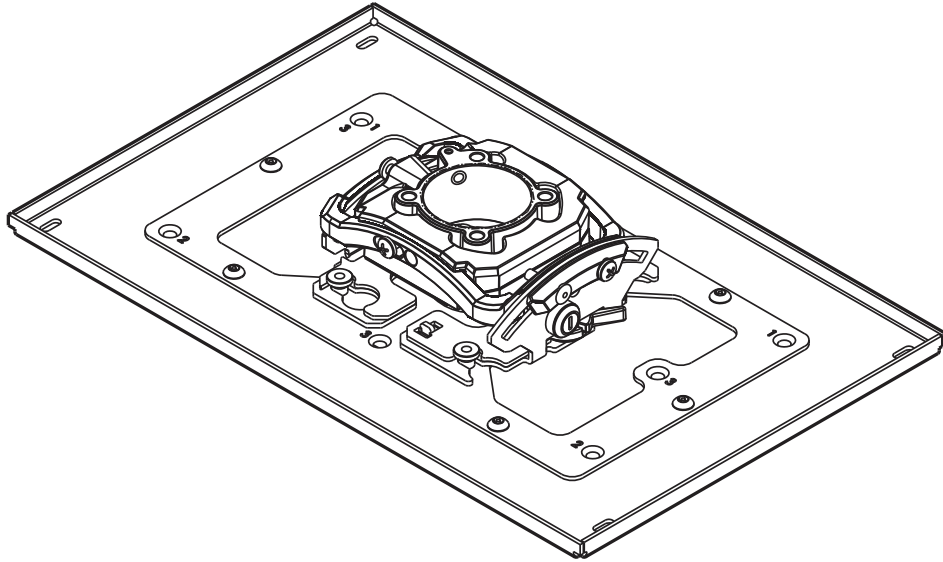


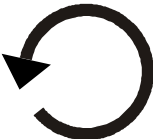










INSTALLATION INSTRUCTIONS



Custom Micro-Adjustable Projector Mount

LEGEND / LÉGENDE / REFERENCIAS / LEGENDA

	Tighten Fastener Apretar elemento de fijación Befestigungsteil festziehen Apertar fixador Serrare il fissaggio Bevestiging vastdraaien Serrez les fixations		Pencil Mark Marcar con lápiz Stiftmarkierung Marcar com lápis Segno a matita Potloodmerkten Marquage au crayon
	Loosen Fastener Aflojar elemento de fijación Befestigungsteil lösen Desapertar fixador Allentare il fissaggio Bevestiging losdraaien Desserrez les fixations		Drill Hole Perforar Bohrloch Fazer furo Praticare un foro Gat boren Percez un trou
	Phillips Screwdriver Destornillador Phillips Kreuzschlitzschraubendreher Chave de fendas Phillips Cacciavite a stella Kruiskopschroevendraaier Tournevis à pointe cruciforme		Adjust Ajustar Einstellen Ajustar Regolare Afstellen Ajuster
	Open-Ended Wrench Llave de boca Gabelschlüssel Chave de bocas Chiave a punte aperte Steeksleutel Clé à fourche		Remove Quitar Entfernen Remover Rimuovere Verwijderen Retirez
	By Hand A mano Von Hand Com a mão A mano Met de hand À la main		Optional Opcional Optional Opcional Opzionale Optie En option
	Hex-Head Wrench Llave de cabeza hexagonal Sechskantschlüssel Chave de cabeça sextavada Chiave esagonale Zeskantsleutel Clé à tête hexagonale		Security Wrench Llave de seguridad Sicherheitsschlüssel Chave de segurança Chiave di sicurezza Veiligheidsleutel Clé de sécurité

DISCLAIMER

Milestone AV Technologies, and its affiliated corporations and subsidiaries (collectively, "Milestone"), intend to make this manual accurate and complete. However, Milestone makes no claim that the information contained herein covers all details, conditions or variations, nor does it provide for every possible contingency in connection with the installation or use of this product. The information contained in this document is subject to change without notice or obligation of any kind. Milestone makes no representation of warranty, expressed or implied, regarding the information contained herein. Milestone assumes no responsibility for accuracy, completeness, or sufficiency of the information contained in this document.



IMPORTANT SAFETY INSTRUCTIONS



WARNING: A WARNING alerts you to the possibility of serious injury or death if you do not follow the instructions.



CAUTION: A CAUTION alerts you to the possibility of damage or destruction of equipment if you do not follow the corresponding instructions.



WARNING: Failure to read, thoroughly understand, and follow all instructions can result in serious personal injury, damage to equipment, or voiding of factory warranty! It is the installer's responsibility to make sure all components are properly assembled and installed using the instructions provided.



WARNING: Failure to provide adequate structural strength for this component can result in serious personal injury or damage to equipment! It is the installer's responsibility to make sure the structure to which this component is attached can support five times the combined weight of all equipment. Reinforce the structure as required before installing the component.



WARNING: Exceeding the weight capacity can result in serious personal injury or damage to equipment! It is the installer's responsibility to make sure the combined weight of all components attached to the KITEP Series does not exceed 35 lbs (15.9 kg).

- The weight capacity of the KITEP Series may be LIMITED to the lowest weight capacity of any other components located between the KITEP Series and the supporting structure!



WARNING: Use this mounting system only for its intended use as described in these instructions. Do not use attachments not recommended by the manufacturer.



WARNING: Never operate this mounting system if it is damaged. Return the mounting system to a service center for examination and repair.



WARNING: Do not use this product outdoors.

IMPORTANT ! : The KITEP Series mounts are designed to be mounted to a 1-1/2" NPT or NPSM following ANSI/ASME B1.20.1 (Schedule 40, 0.154" minimum thickness aluminum or steel - ASTM B221) threaded extension column.

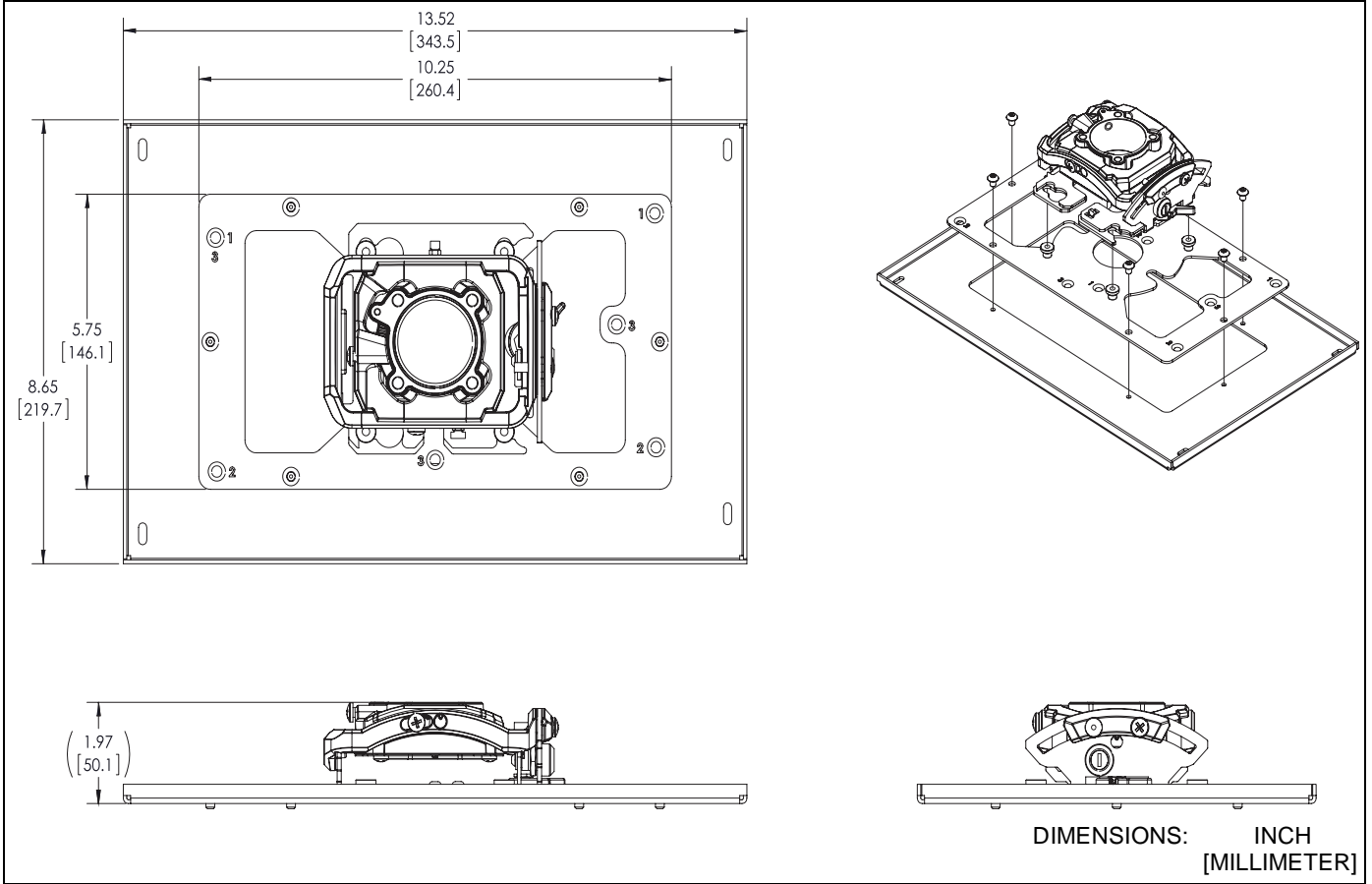
NOTE: The KITEP Series projector mounts may be used with the products noted in Table 1, using the indicated mounting patterns.

Table 1: Projector Models and Mounting Patterns

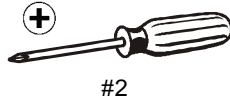
Pattern 1	Pattern 2	Pattern 3	Pattern 4
EB-S39	EB-975W	EB-1780W	EB-5510
EB-S41	EB-2042	EB-1781W	EB-5520W
EB-U05	EB-2142W	EB-1785W	EB-5530U
EB-U42	EB-2155W	EB-1795F	EB-5535U
EB-W05	EB-2165W		EB-G6570WU
EB-W39	EB-2245U		EB-G6970WU
EB-W42	EB-2247U		EB-G7000W
EB-X39	EB-2250U		EB-G7100
EB-X41	EB-2255U		EB-G7200W
EB-107	EB-2265U		EB-G7400U
EB-108			EB-G7500U
EB-109W			EB-G7805
EB-970			EB-G7900U
EB-980W			EB-G7905U
EB-990U			
EB-1266			
EB-1286			

--SAVE THESE INSTRUCTIONS--

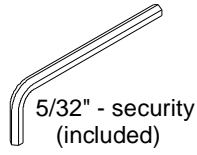
DIMENSIONS



TOOLS REQUIRED FOR INSTALLATION

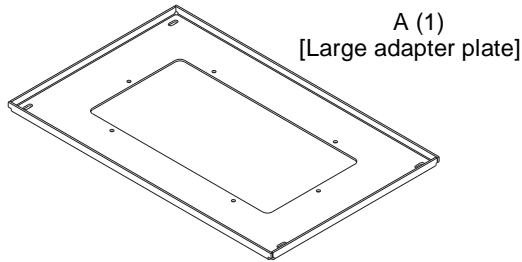


#2

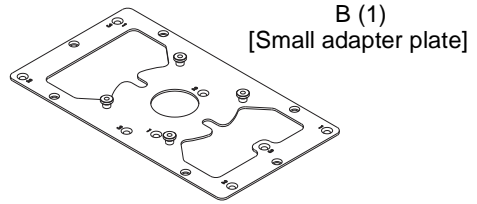


5/32" - security
(included)

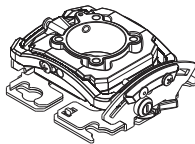
PARTS



A (1)
[Large adapter plate]



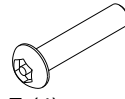
B (1)
[Small adapter plate]



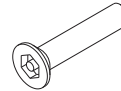
C (1)
[Projector mount]



D (6)
10-24 x 1/4"
[security]



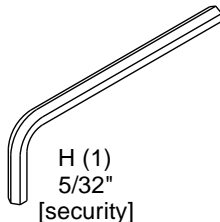
E (4)
M4 x 20mm
[security]



F (4)
M4 x 20mm
[security]
(one extra included)



G (4)
.375 x .194 x .375"



H (1)
5/32"
[security]

Projector Mount Installation

- Carefully determine required mounting location.
- IMPORTANT !** : This will require knowing the lens to screen distance. See projector specifications for details on determining this distance.
- Install 1-1/2" NPT or NPSM following ANSI/ASME B1.20.1 (Schedule 40, 0.154" minimum thickness steel or aluminum - ASTM B221) threaded extension column (not included) into threaded collar (not included) until tight, with a minimum of four threads engaged. (See Figure 1)



WARNING: IMPROPER INSTALLATION CAN RESULT IN SERIOUS PERSONAL INJURY OR DAMAGE TO EQUIPMENT! Structural members **MUST** be capable of supporting five times the combined weight of all equipment being mounted.

- Align projector mount (C) with end of NPT pipe.
- Thread projector mount up onto pipe by turning until hand tight. (See Figure 1)

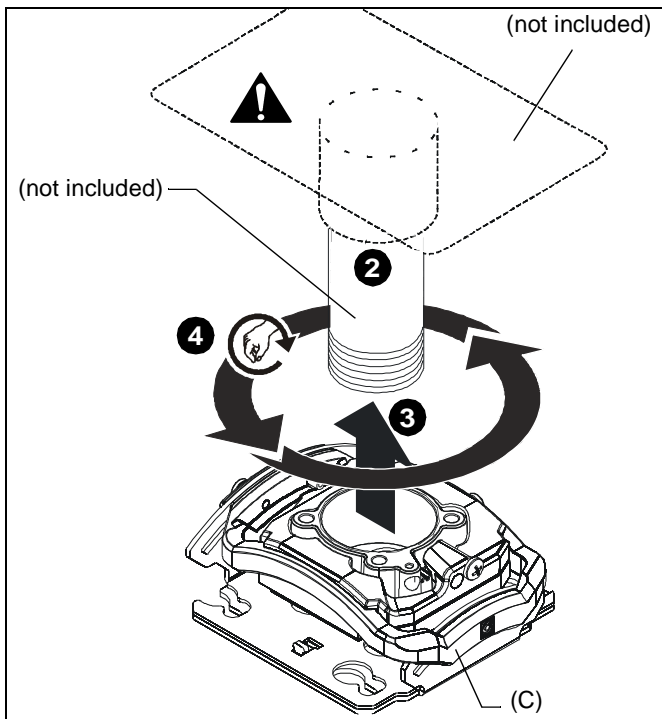


Figure 1

Rough Alignment of Projector Mount

- Turn projector mount (C) clockwise or counter-clockwise until front of mount is facing target.
- Secure projector mount to pipe by turning set screw (shipped installed in projector mount) until tight.



CAUTION: DO NOT OVERTIGHTEN! Over tightening of set screw can damage threads on pipe.

- Turn security screw (shipped installed in projector mount and accessed through bottom of projector mount) using a Phillips screwdriver until set screw cannot be seen through access hole in projector mount. (See Figure 2)

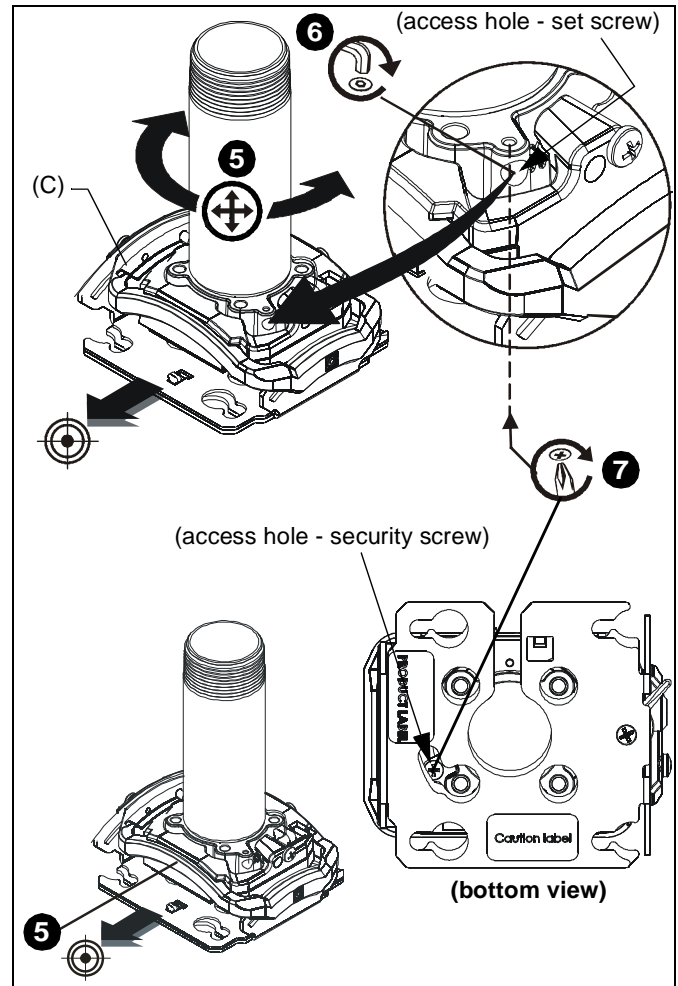


Figure 2

PROJECTOR INSTALLATION

Install Interface Bracket

1. Determine correct mounting pattern for projector model being installed. (See Table 1)



WARNING: IMPROPER INSTALLATION CAN LEAD TO PROJECTOR FALLING, RESULTING IN SERIOUS PERSONAL INJURY OR DAMAGE TO EQUIPMENT. DO NOT substitute hardware. Use only the hardware provided by the manufacturer.

IMPORTANT ! : Proceed to the appropriate attachment instructions for Pattern 1, 2, 3, or 4.

Patterns 1, 2, and 3

2. Secure small adapter plate (B) to projector using three security flat head screws (F) and three spacers (G) in attachment holes marked with a "1", "2" or "3". (See Figure 3) Proceed to **Attaching to Projector Mount** section.

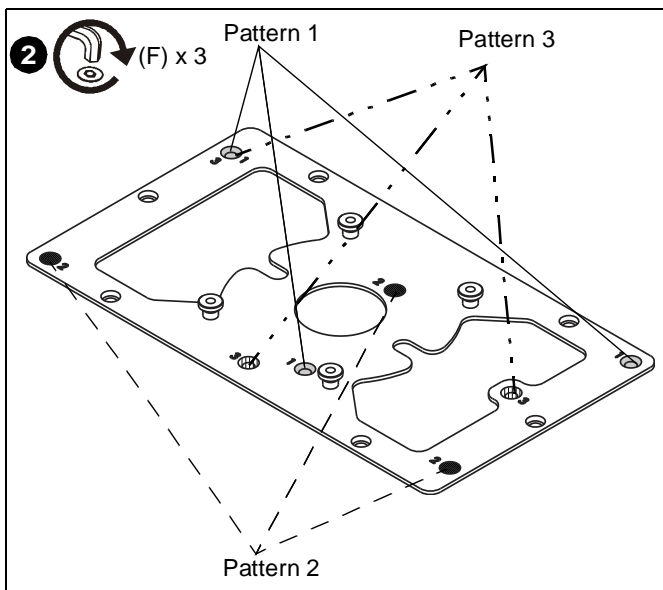


Figure 3

Pattern 4

3. Secure small adapter plate (B) to large adapter plate (A) using six 10-24 x 1/4" security button head screws (D). (See Figure 4)
4. Secure joined adapter plates to projector using four M4 x 20mm security button head screws (E) and (if required) spacers (G) through each corner of the large adapter plate (A). (See Figure 4)

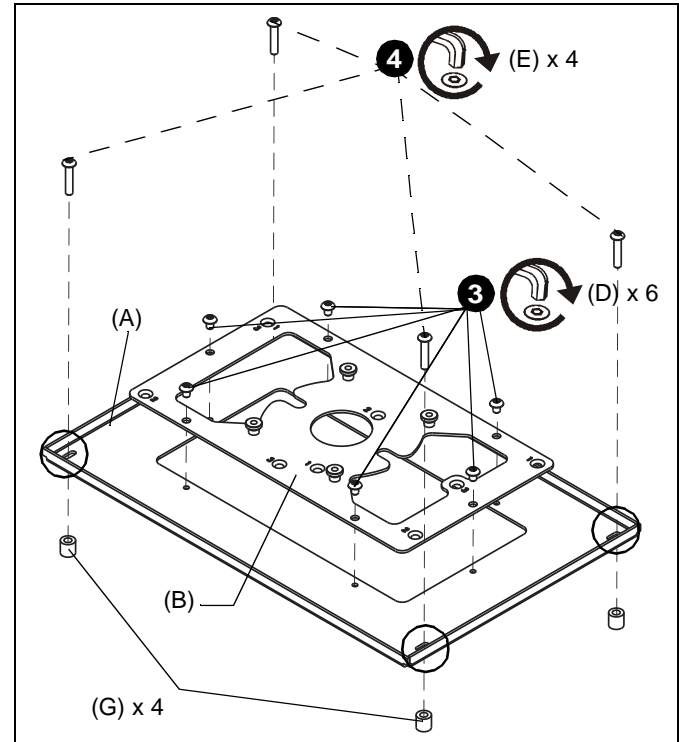


Figure 4

Attaching to Projector Mount

1. Orient projector with projector mount. (See Figure 5)
2. Lift projector so that screws with thumb nuts are aligned with mounting slots in projector mount base.
3. Slide projector with adapter plate(s) into mounting slots in projector mount base until screws are seated against the back of mounting slots.



WARNING: IMPROPER INSTALLATION CAN LEAD TO PROJECTOR FALLING, RESULTING IN SERIOUS PERSONAL INJURY OR DAMAGE TO EQUIPMENT. Make certain mounting slots in mount base slide under thumb screws and that screws are seated in the back of slots.

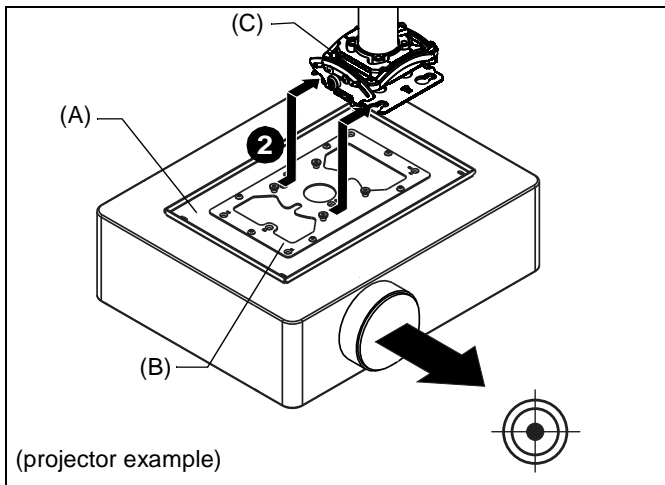


Figure 5

4. Verify that mounting screws are properly seated in mounting slots in mount base.
5. Move locking lever to “Locked” position. (See Figure 6)
6. Insert key into lock and turn to secure projector to mount.

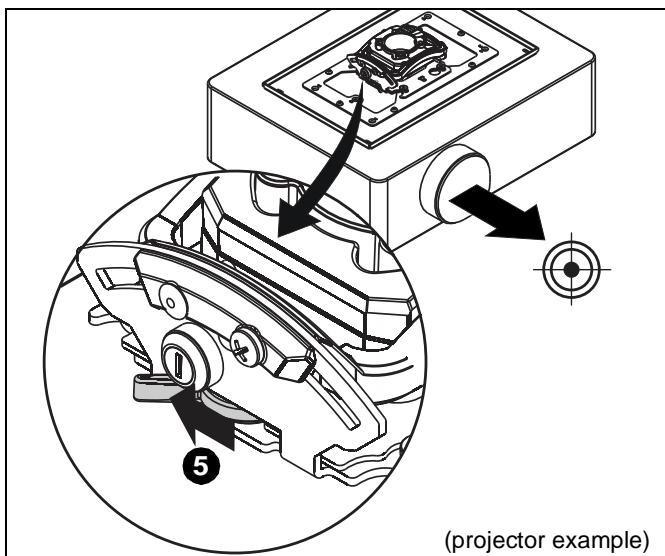


Figure 6

ADJUSTMENTS

YAW Adjustment (See Figure 7)

1. Loosen YAW adjustment locking screw using a #2 Phillips screwdriver.
2. Turn YAW micro-adjustment screw right or left using a #2 Phillips screwdriver until image is properly aligned on target.
3. Tighten YAW adjustment locking screw using a #2 Phillips screwdriver.

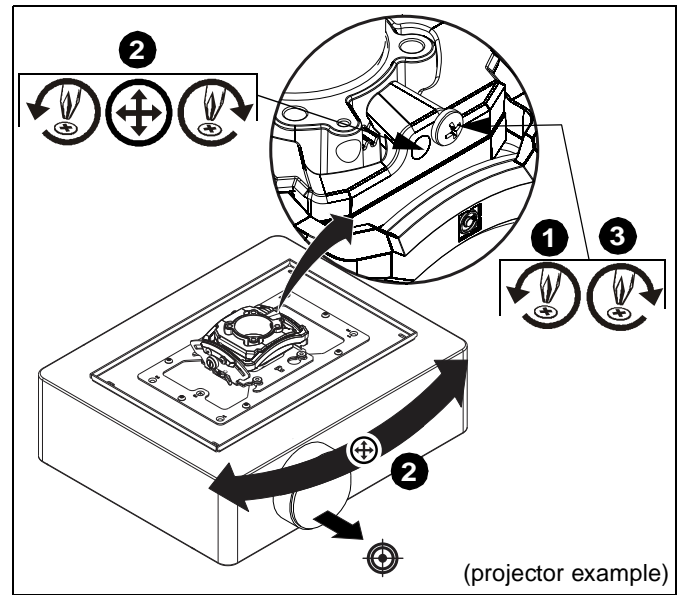
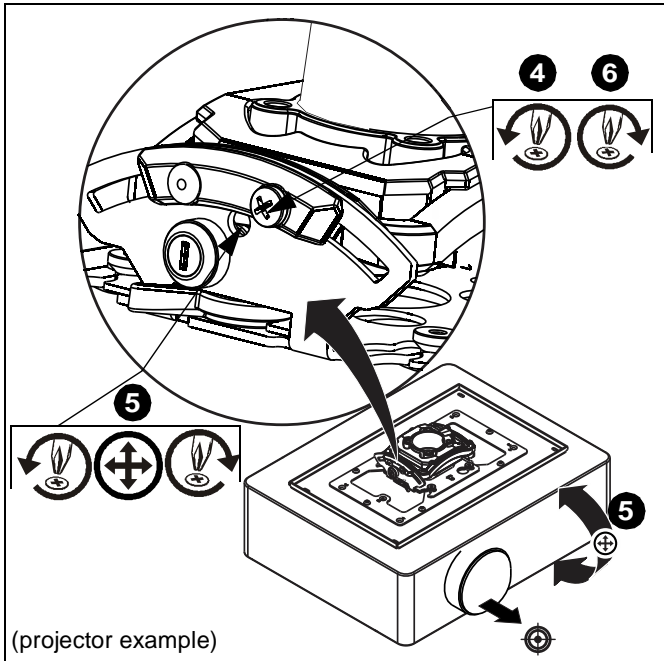


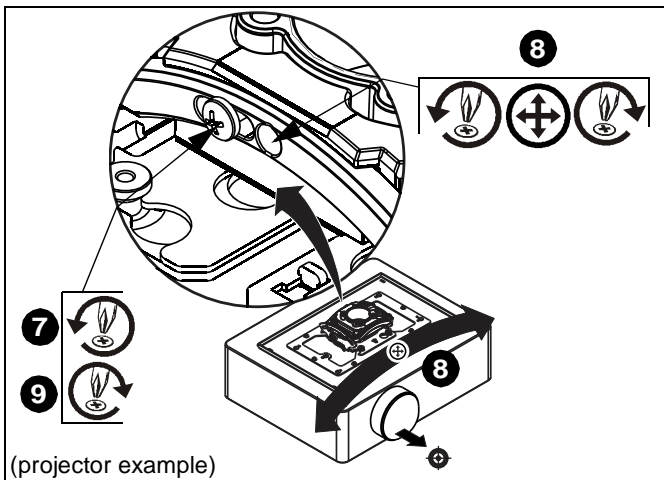
Figure 7

Pitch Adjustment (See Figure 8)

4. Loosen PITCH adjustment locking screw using a #2 Phillips screwdriver.
5. Turn PITCH micro-adjustment screw right or left using a #2 Phillips screwdriver until image is properly aligned on target.
6. Tighten PITCH adjustment locking screw using a #2 Phillips screwdriver.

**Figure 8****Roll Adjustment** (See Figure 9)

7. Loosen ROLL adjustment locking screw using a #2 Phillips screwdriver.
8. Turn ROLL micro-adjustment screw right or left using a #2 Phillips screwdriver until image is properly aligned on target.
9. Tighten ROLL adjustment locking screw using a #2 Phillips screwdriver.

**Figure 9**



Our Mounts. **Your Vision.**

Chief, a products division of
Milestone AV Technologies

8800-003069 Rev00
©2018 Milestone AV Technologies
www.milestone.com
04/18

USA/International	A 6436 City West Parkway, Eden Prairie, MN 55344
	P 800.582.6480 / 952.225.6000
	F 877.894.6918 / 952.894.6918
Europe	A Franklinstraat 14, 6003 DK Weert, Netherlands
	P +31 (0) 495 580 852
	F +31 (0) 495 580 845
Asia Pacific	A Office No. 918 on 9/F, Shatin Galleria 18-24 Shan Mei Street Fotan, Shatin, Hong Kong
	P 852 2145 4099
	F 852 2145 4477

