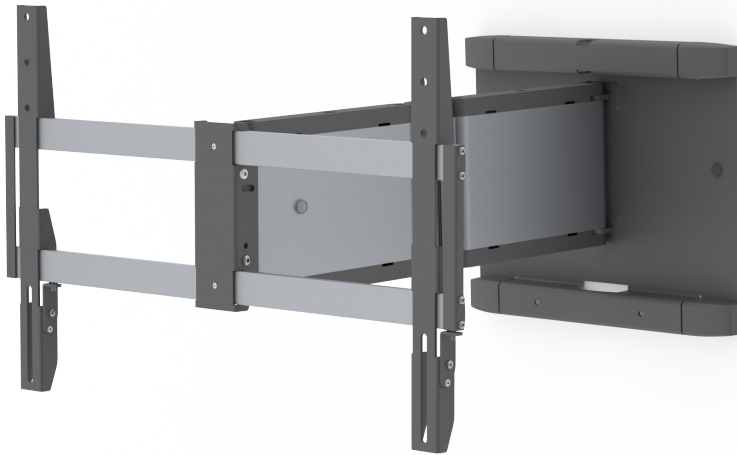


SMS ICON WH 3D



Makes light work of heavy loads.

Our large 3D arm in aluminium is both graceful and strong. It can support displays up to 40 kg at a distance of over 60 cm from the wall, or right next to it. Match the equipment with Aluminium/Piano Black or Aluminium/Anthracite Grey.

INFO

Finish: Aluminium/Piano Black or Aluminium/Anthracite Grey

Max weight: 40 kg

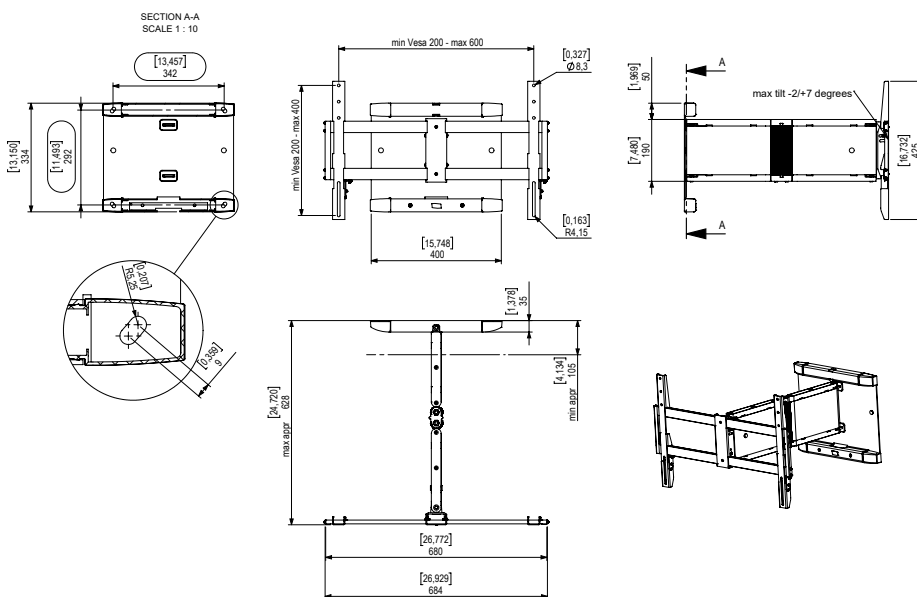
Tilt and swivel: the display can be tilted $-2/+7^\circ$ and swiveled approximately ± 90 depending on its size. Supplied with universal slide. Fits VESA standard from min 200 x 200 up to max 600 x 400 mm.

Distance from wall: appr 620 mm (fully extended).



TECHNICAL DRAWING

C181U001-1A / C181U001-2A ICON WH 3D



SIMPLE ORDERING

ART. NO.

C181U001-1A Icon WH 3D, Alu/Piano Black
C181U001-2A Icon WH 3D, Alu/Anthracite Grey