



Hisense | COMMERCIAL
DISPLAY

LED DISPLAYS

Hisense

INDOOR

HIP SERIES

CORPORATE PERFECTION

Perfect for any corporate environment where space is a premium, the HIP series 16:9 LED wall delivers seamless panel integration and ultra-high brightness. Give your staff and clients the most memorable visual LED experience.



INDOOR LED DISPLAY

HIP SERIES



Die casting aluminum

Die casting aluminum design with easy maintenance, water proof, dustproof & anti-corrosion

Dual power backup

Dual power backup & dual signal input, automatic online switch when failure happens, stable & reliable operation

Balanced Color

Accurate correction & automatic adjustment of color ensures brightness balance and vivid picture.



High refresh rate

With uniform color scale and brightness, dynamic performance of LED display could restore the true scenes without any ripples.



Brightness nits

With an average 500 nits and 1,000 nits maximum brightness, the display panels can deliver amazingly vivid imagery anywhere during daytime and nighttime conditions.



Low brightness & High gray level

LED display could reveal more details, including layers and colors, than traditional displays do.



160° High viewing angle

The extra wide 160° viewing angle is a perfect fit for large groups of people that will view the displays from diverse angles while passing by.



High color calibration

LED display correction technology could uniformly lighten several hundred thousand LED lights, presenting a uniform display effect with the same brightness and color scale.



Self-Heat Dissipation Management

Self-heat dissipation design, energy saving and noise reduction improve the service life

FEATURES

- Less installation Space
- 7000:1 high contrast ratio
- 68.7 billion colors
- High IP level
- 160° high viewing angle
- Nanotechnology
- High uniformity & cost performance
- Ultra-high contrast ratio

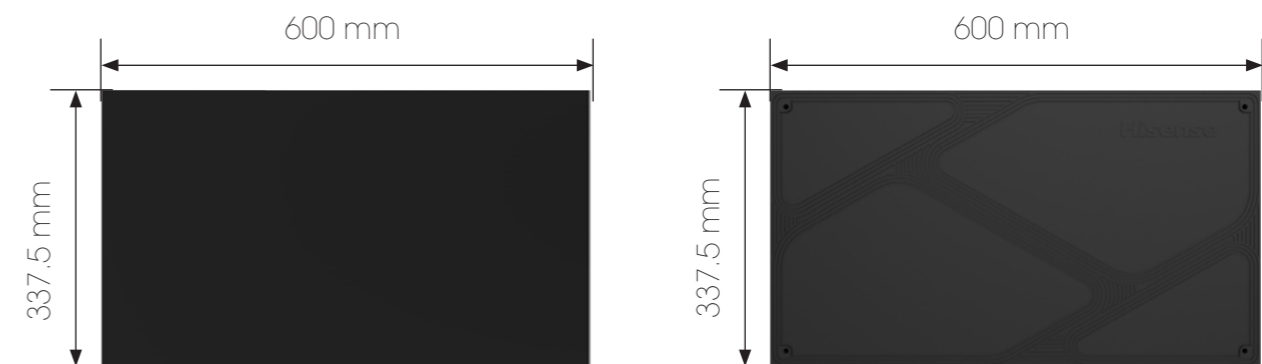
INDOOR LED DISPLAY

HIP SERIES SPECIFICATIONS



HIP SERIES			
Pixel Pitch	P0.937	P1.25	P1.56
LED Type	4in1 1616	SMD1010	SMD1212
Thickness	40mm		
Module Size (W×H/mm)	150 x 337.5		
Cabinet Dimension (W×H/mm)	600 x 337.5		
Cabinet Resolution	640x360	480 x 270	384x216
Cabinet Weight (kg/panel)	≤6.5kg		
Brightness (Nits)	500 (0-1000 Adjustable)		
Contrast Ratio	7000:1		
Maintanance	Front Access		
IP Rating	IP50		
Max Power Consumption (W/sqm)	≤650		
Avg Power Consumption (W/sqm)	≤150		
Viewing Angle	160°		
Refresh Rate (Hz)	3840		
Operating Enviroment	From -10° to 40°		
Life Span	≥100,000 Hours		

DIMENSIONS



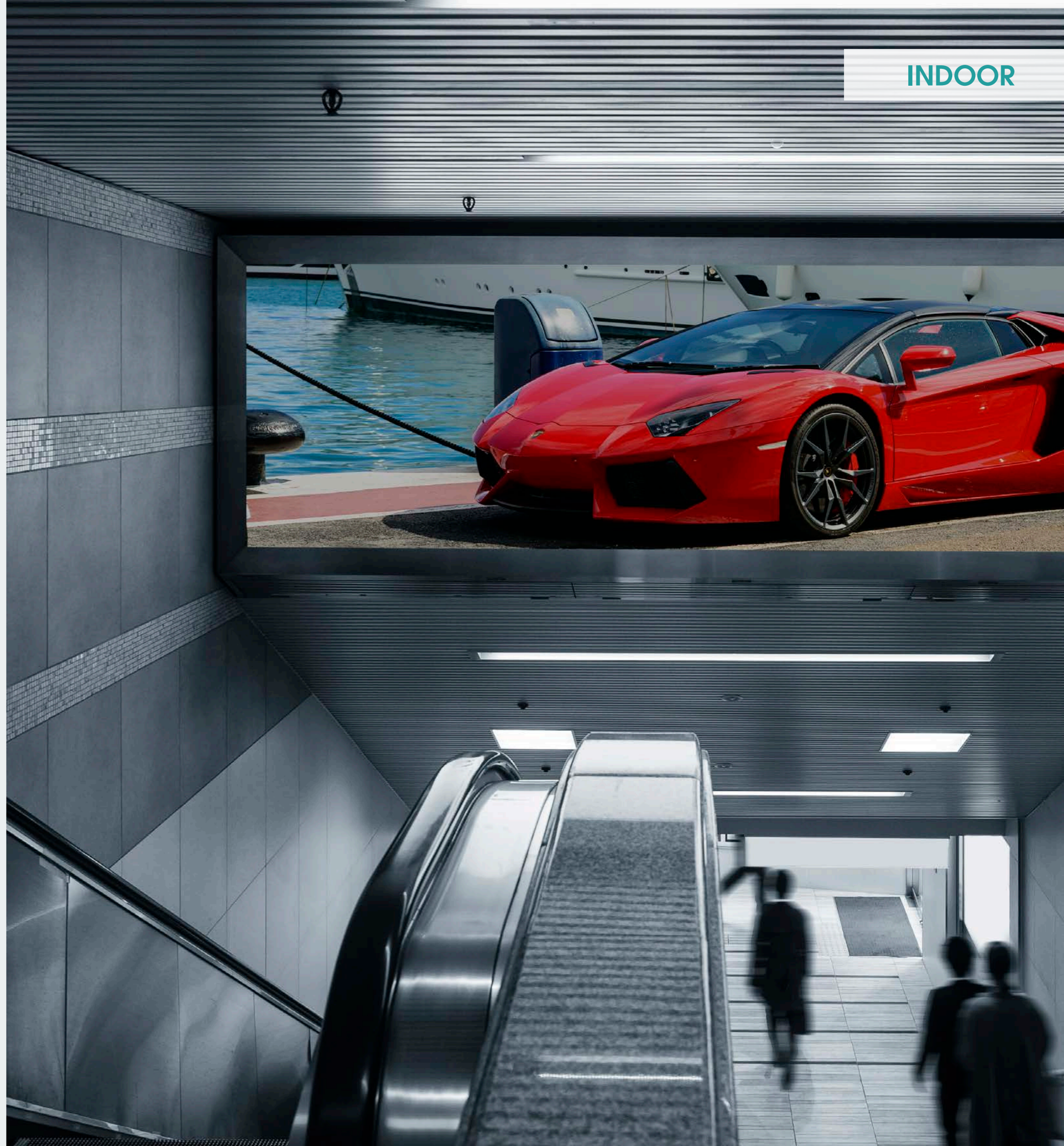
Hisense

INDOOR

HIT SERIES

UNRIVALLED PERFORMANCE

For the ultimate visual display in high density internal public spaces, the HIT series delivers unrivalled brightness and contrast performance. Guaranteed to draw attention, the HIT series ensure enhanced delivery of marketing content in high volume consumer spaces.



INDOOR LED DISPLAY

HIT SERIES



High refresh rate

With uniform color scale and brightness, dynamic performance of LED display could restore the true scenes without any ripples.



Brightness nits

With an average 500 nits and 1,000 nits maximum brightness, the display panels can deliver amazingly vivid imagery anywhere during daytime and nighttime conditions.



Low brightness & High gray level

LED display could reveal more details, including layers and colors, than traditional displays do.



160° High viewing angle

The extra wide 160° viewing angle is a perfect fit for large groups of people that will view the displays from diverse angles while passing by.



High color calibration

LED display correction technology could uniformly lighten several hundred thousand LED lights, presenting a uniform display effect with the same brightness and color scale.



Self-Heat Dissipation Management

Self-heat dissipation design, energy saving and noise reduction improve the service life

FEATURES

- Less installation Space
- 7000:1 high contrast ratio
- 68.7 billion colors
- High IP level
- 160° high viewing angle
- Nanotechnology
- High uniformity & cost performance
- Ultra-high contrast ratio

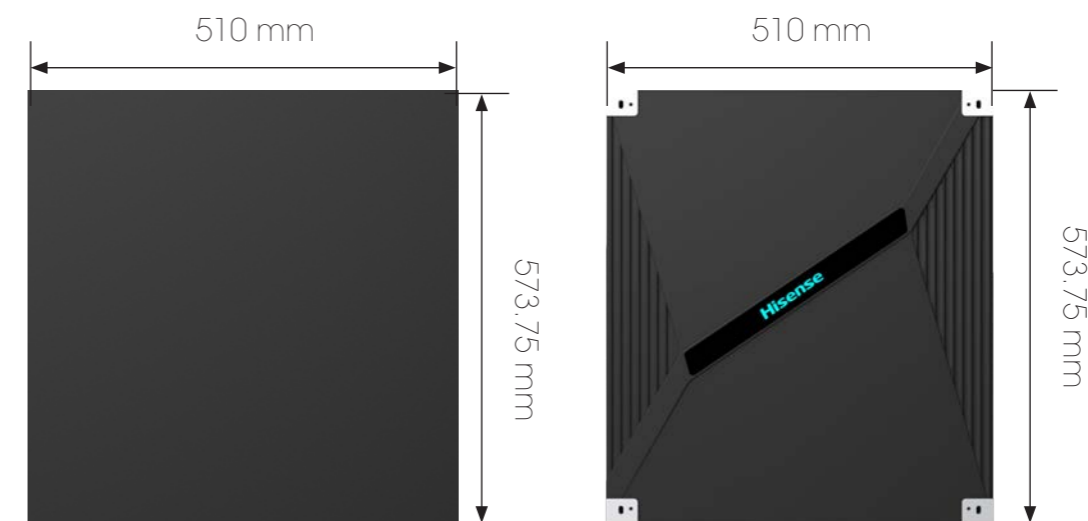
INDOOR LED DISPLAY

HIT SERIES SPECIFICATIONS



HIT SERIES			
Pixel Pitch	P1.06	P1.25	P1.59
LED Type	SMD 2in1 1020	SMD1010	SMD1212
Thickness	33mm		
Module Size (W×H/mm)	127.5X191.25	127.5 x 191.25	127.5 x 191.25
Cabinet Dimension (W×H/ mm)	510 x 573.75		
Cabinet Resolution	480x540	408x459	320x360
Cabinet Weight (kg/panel)	≤7.5kg		
Brightness (Nits)	500 (0-1000 Adjustable)		
Contrast Ratio	7000:1		
Maintanance	Front Access		
IP Rating	IP50		
Max Power Consumption (W/sqm)	≤500		
Avg Power Consumption (W/sqm)	≤120		
Viewing Angle	160°		
Refresh Rate (Hz)	3840		
Operating Enviroment	From -10°C to 40°C		
Life Span	≥100,000hrs		

DIMENSIONS



HIK SERIES

ULTIMATE FLEXIBILITY

HIK series LED solutions deliver unrivalled versatility due to the variety of cabinet configurations available. Integrators specifying the HIK range have access to the broadest range of pixel pitch and aspect ratios options. Perfect for any internal space, these innovative Hisense LED modules include cable-less internal construction and full frontal access for ease of maintenance.





High refresh rate

With uniform color scale and brightness, dynamic performance of LED display could restore the true scenes without any ripples.



Brightness nits

With an average 500 nits and 1,000 nits maximum brightness, the display panels can deliver amazingly vivid imagery anywhere during daytime and nighttime conditions.



Low brightness & High gray level

LED display could reveal more details, including layers and colors, than traditional displays do.



160° High viewing angle

The extra wide 160° viewing angle is a perfect fit for large groups of people that will view the displays from diverse angles while passing by.



High color calibration

LED display correction technology could uniformly lighten several hundred thousand LED lights, presenting a uniform display effect with the same brightness and color scale.



AOB Admixture on board

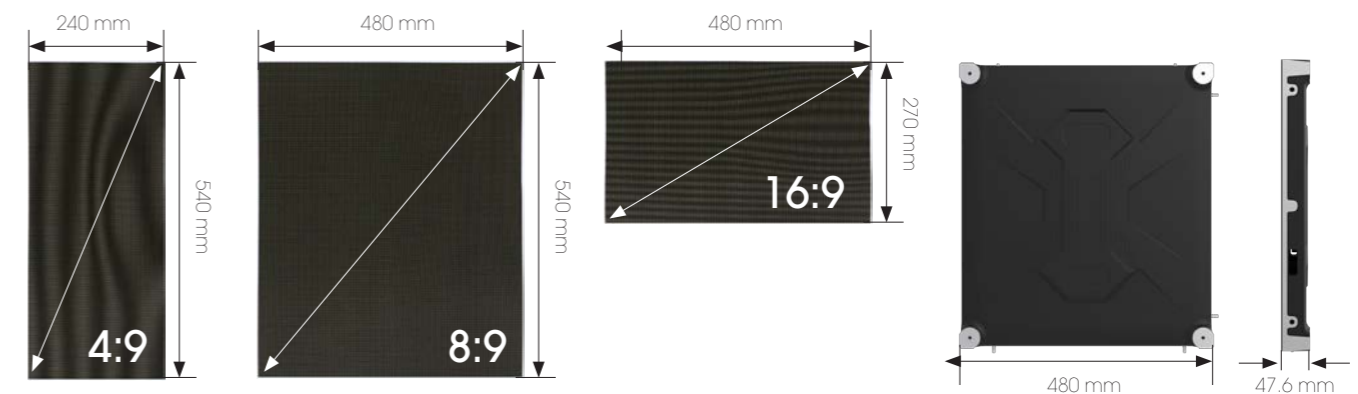
AOB Transparent glass on surface enhances the mixed light property with scratch resistance, water-proof & easy to clean

FEATURES

- CNC high precision
- No screws design
- Fanless
- Less installation Space
- 16 bit gray scale
- 7000:1 high contrast ratio
- 68.7 billion colors
- Aspect Ratio 16:9, 8:9, 4:9
- High IP level
- 160° high viewing angle
- 4 times anti-push ability
- Nanotechnology
- High uniformity & cost performance
- Ultra-high contrast ratio

HIK SERIES							
Pixel Pitch	P1.25	P1.5	P1.875	P2.0	P2.5	P3.0	P3.75
LED Type	SMD1010	SMD1212	SMD1515 3in1	SMD1515 3in1	SMD2121 3in1	SMD2121 3in1	SMD2121 3in1
Thickness	53.7mm						
Module Size (W×H/mm)	240 x 270						
Cabinet Dimension (W×H/mm)	480 x 540 / 480 x 270 / 240 x 540						
Cabinet Resolution	384 x 432	320 x 360	256 x 288	240 x 270	192 x 216	160 x 180	128 x 144
Cabinet Weight (kg/panel)	≤7kg (480 x 540) / ≤4kg (480 x 270) / ≤4kg (240 x 540)						
Brightness (Nits)	500 (0-1000 Adjustable)						
Contrast Ratio	7000:1						
Maintanance	Front Access						
IP Rating	IP50						
Max Power Consumption (W/sqm)	≤650						
Avg Power Consumption (W/sqm)	≤150						
Viewing Angle	160°						
Refresh Rate (Hz)	3840						
Operating Enviroment	-10° to 40° / 10 to 90% Relative Humidity (non condensing)						
Life Span	100,000 Hours						

DIMENSIONS



Hisense

OUTDOOR

HOA SERIES

CREATING IMPACT

HOA series outdoor LED solutions are perfect for any billboard or large scale LED wall project. These ultra reliable, high brightness, low power consumption modules also feature an IP65 rating and auto brightness adjustment for the ultimate impact in any climate or weather conditions. Hisense LED modules include cable-less internal construction and rear access for ease of maintenance.



OUTDOOR LED DISPLAY

HOA SERIES



Ultra high brightness

With 5,500 nits maximum brightness the display panels can deliver amazingly vivid imagery anywhere during daytime and nighttime conditions.



High refresh rate

With uniform color scale and brightness, dynamic performance of LED display could restore the true scenes without any ripples.



Long Lifespan

The HOA series boasts an incredibly long lifespan of upto 100000hrs.



Effortless set-up and maintenance

LED display could reveal more details, including layers and colors, than traditional displays do.



120° High viewing angle

The extra wide 120° viewing angle is a perfect fit for large groups of people that will view the displays from diverse angles while passing by.



Ultra high contrast ratio

LED display could reveal more details, including layers and colors, than traditional displays do.



Clear and consistent picture

LED display providing a clear and consistent picture throughout it's lifespan



Durable in Outdoor Environments

The fully waterproof module ensures the TES LED display series with ongoing performance when exposed to high temperature, high-humidity and a variety of natural and unintentional scenarios.

FEATURES

- Ultra high brightness
- Ultra wide viewing angles
- High refresh rate
- Long lifespan
- Low maintenance cost
- Effortless set-up and maintenance
- Ultra high contrast ratio
- Less installation space
- Complete visual seamless splicing
- Clear and consistent picture
- Durable in Outdoor Environments
- Rear access

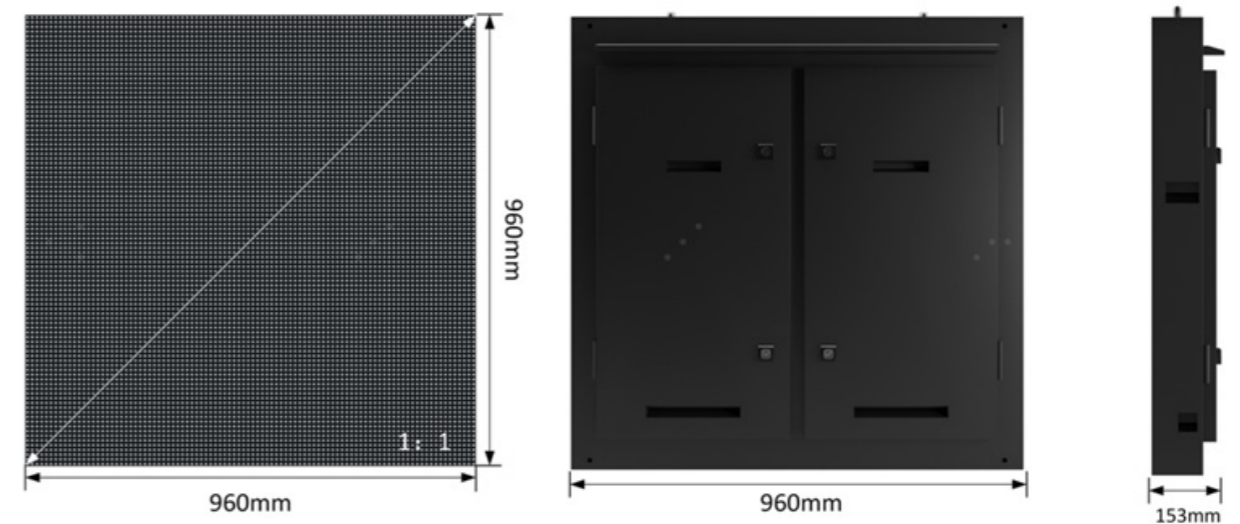
OUTDOOR LED DISPLAY

HOA SERIES SPECIFICATIONS



HOA SERIES							
Hisense Type	HOA2.5-TAM9696R	HOA3.0-TAM9696R	HOA4.0-TAM9696R	HOA5.0-TAM9696R	HOA6.0-TAM9696R	HOA8.0-TAM9696R	HOA10.0-TAM9696R
Pixel Pitch	2.5	3.076	4	5	6	8	10
LED package	SMD copper wire						
LED Type	SMD1921	SMD1921	SMD1921	SMD1921	SMD3535	SMD3535	SMD3535
Thickness	153mm						
Module Resolution	128*64	104*52	80*40	64*32	32*32	40*20	32*16
Module Size (W×H/mm)	320*160	320*160	320*160	320*160	192*192	320*160	320*160
Cabinet Dimension (W×H)	960(W)×960(H)						
Cabinet Resolution	384×384	312×312	240×240	192×192	160×160	120×120	96×96
Cabinet Weight (kg/panel)	≤38kg						
Cabinet materials	Metal plate						
Brightness (Nits)	5500 Nits						
Contrast Ratio	≥4000:1						
Maintenance	Rear Access						
IP Rating	Front:IP65/Rear:IP54						
Max Power Consumption (W/sqm)	≤900						
Avg Power Consumption (W/sqm)	≤300						
Viewing Angle (H/V)°	≥120 degrees						
Refresh Rate (Hz)	>1920						
Operating Environment	From -20~60°C						
Relative Humidity	10~90%RH						
Life Span	≥100000hrs						

DIMENSIONS





Hisense Commercial Display
Email: sales@hisense-b2b.com
Web: www.hisense-b2b.com

Hisense