

DS-D5C75RB/B

75-inch Interactive Flat Panel



The Hikvision Interactive Flat Panel is a kind of newly developed intelligent teaching assistance product which integrates with the latest technologies of touch control, HD display, video processing, network communication, interactive control, sound control. It can be widely applied to the classroom, online teaching, training center, etc.

- UHD 4K display with resolution of 3840 × 2160.
- Anti-glare and anti-blocking design to ensure smooth interaction.
- Dual systems of Android and Windows (Optional) saving cost and easy to use, video conference software are recommended to run under Windows system.
- Quick response, at most 45-points touch control and smooth writing experience.
- Built-in network switch module saves a network switch.
- All-in-one design with tempered glass and intelligent temperature control, making it environmental-friendly and safety-guaranteed, support blue light protection.

▪ Specification

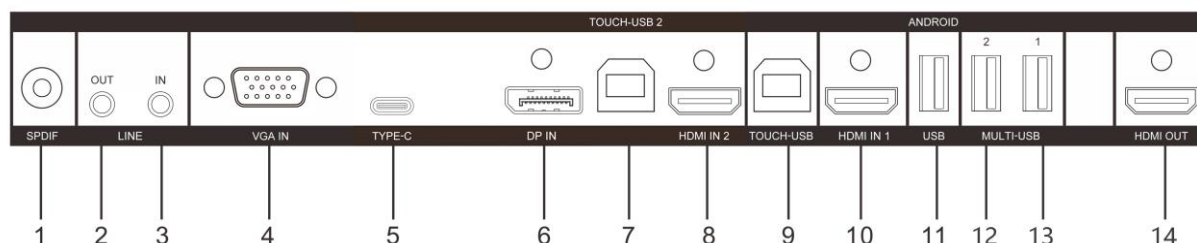
Model		DS-D5C75RB/B
Product Model	Product Model	DS-D5C75RB/B
Panel	Glass Thickness	3.2 mm
	Glass Bonding Method	Zero Lamination
Display	Screen Size	75 inch
	Backlight	DLED
	Pixel Pitch	0.14325(H) × 0.42975(V) mm
	Resolution	3840 × 2160 @60 Hz
	Brightness	400 cd/m ² with Brightness sensor
	Color Depth	10 bit
	Contrast Ratio	5000 : 1
	Response Time	6 ms
	Color Gamut	72% NTSC
	Refresh Rate	60 Hz
	Viewing Angle	178°(H)/178°(V)
Optical	Aspect Ratio	16 : 9
Built-in System	Operation System	Android 13.0
	Processor	Quad-core Cortex-A76 × 4 (2.4 GHz) and quad-core Cortex-A55 × 4 (1.8 GHz)
	Memory	8 GB
	Built-in Storage	128 GB
	Panel Type	VA
	HDCP Version	2.3
	Touch Resolution	32768 × 32768
Touch	Type	Infrared Touch Screen
	Touch Point	45 point multi-touch
	Touch Response Time	< 8 ms
	Touch Precision	± 1 mm (≥ 90% touching area)
Processing Performance	Display Color	1.07G
Internal Function	Loudspeaker	Built-in 2 ×15 W+25 W loudspeaker;
	Bluetooth	Built-in BLE (Bluetooth Low Energy) module supports Bluetooth 5.1
	Image	Support 3D digital noise reduction, face detection, automatic white balance, automatic purple

	Processing Technology	edge removal, automatic defogging; support shadow correction and distortion correction for lens.
	Audio Processing Technology	Support dereverberation, adaptive noise reduction, adaptive non-stationary noise reduction, adaptive echo cancellation, automatic gain control, automatic electrical level control, sound source localization, speech dynamic detection, digital beam forming, speech detection.
Interface	Video & Audio Input	HDMI In 2.0 × 3, VGA In × 1, DP In 1.2 × 1, Audio In × 1
	Video & audio output	HDMI Out 2.0 × 1, Audio Out × 1, SPDIF Out × 1
	Control interface	TOUCH-USB 3.0 × 3, RS232 × 1
	Network Interface	LAN (1000 Mbps) × 2 WIFI AP&Station, 2.4 G/5 G IEEE 802.11 a/b/g/n/ac 2 × 2 MIMO (2.4 GHz and 5 GHz) authentication protocols WEP, WPA, WPA2, PSK and 802.1X EAP
	Data Transmission Interface	USB 3.0 × 4, USB 2.0 × 1, Type-C × 2 (Type-C supports USB 2.0, DP 1.2, and charging functions; side charging 15 W, front charging 65 W)
Power	Standby Consumption	≤ 0.5 W
	Average Consumption	< 170W
Working Environment	Working Temperature	0 °C to 40 °C (32 °F to 104°F)
	Working Humidity	10%~90% RH
General	VESA	800 mm × 400 mm (4 × M8-25 mm)
	Power Supply	100 to 240 VAC, 50/60 Hz
	Product dimensions	1713.2 mm × 1034.5 mm × 82.5 mm
	Accessory	Wall mount bracket, hook, user manual, touch writing pen, packing list, 3M touch USB cable, 3M HDMI cable (2.0), 1.5m power cable (European standard), Bluetooth remote control.
	Package Dimensions (W × H × D)	1937 mm × 264 mm × 1222 mm
	Net Weight	51.23 kg
	Gross Weight	67.62 kg
	NFC	Support screen mirroring by Android phones.
Camera	Pixel	8 MP (48MP for photos)
	Camera Function	Support intelligent switching between Android system, OPS, and PC.
	Field Angle	120°(diagonal), 110°(horizontal), 75°(vertical)
	Distortion	≤ 2.5%
	Camera Resolution	Up to 4K

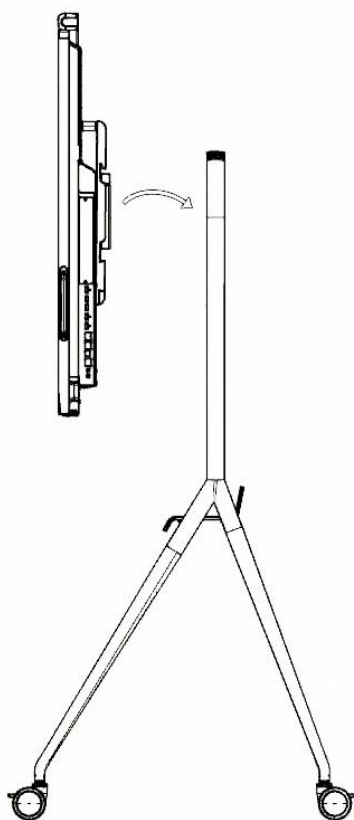
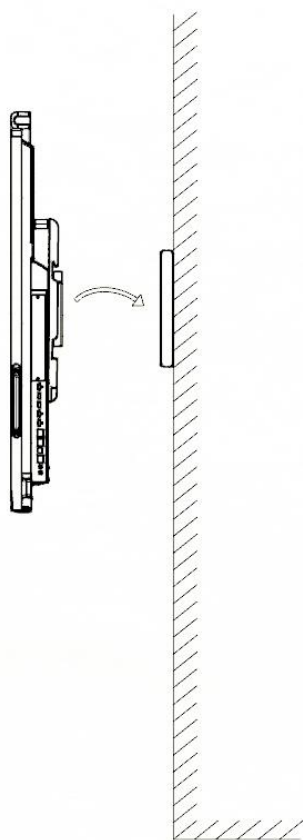
	Ratio	
Microphone	Specification	Omni-directional 8-array layout
	Mic Function	Echo reduction and smart noise-cancellation
	Voice Distance	12 m
	Sampling Rate	32 K
	Mic Sampling Rate	16 bit

▪ **Physical Interface**

Interface	Description	Interface	Description
1.SPdif	SPDIF interface	2.Line OUT	Audio output interface
3.Line IN	Audio input interface	4.VGA IN	Video devices connection interface
5.TYPE-C	Type-C interface	6.DP IN	Display input interface
7.TOUCH-USB 2	Peripheral touch interface	8.HDMI IN 2	HDMI 2 input interface
9.TOUCH-USB	Peripheral touch interface	10.HDMI IN 1	HDMI 1 input interface
11.USB	USB interface	12.MULTI-USB 2	Multi-functional USB interface
13.MULTI-USB 1	Multi-functional USB interface	14.HDMI OUT	HDMI output interface



▪ Installation

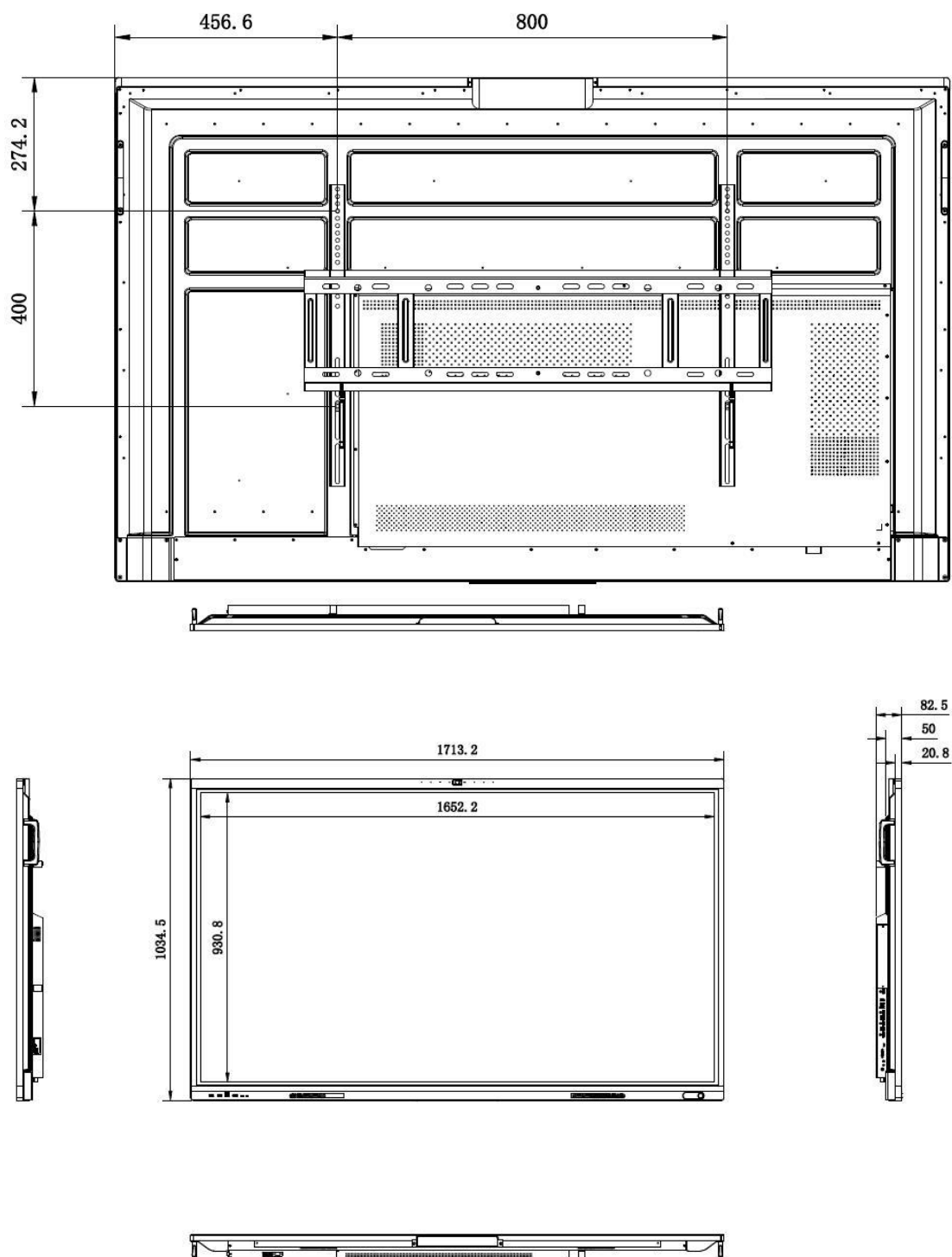


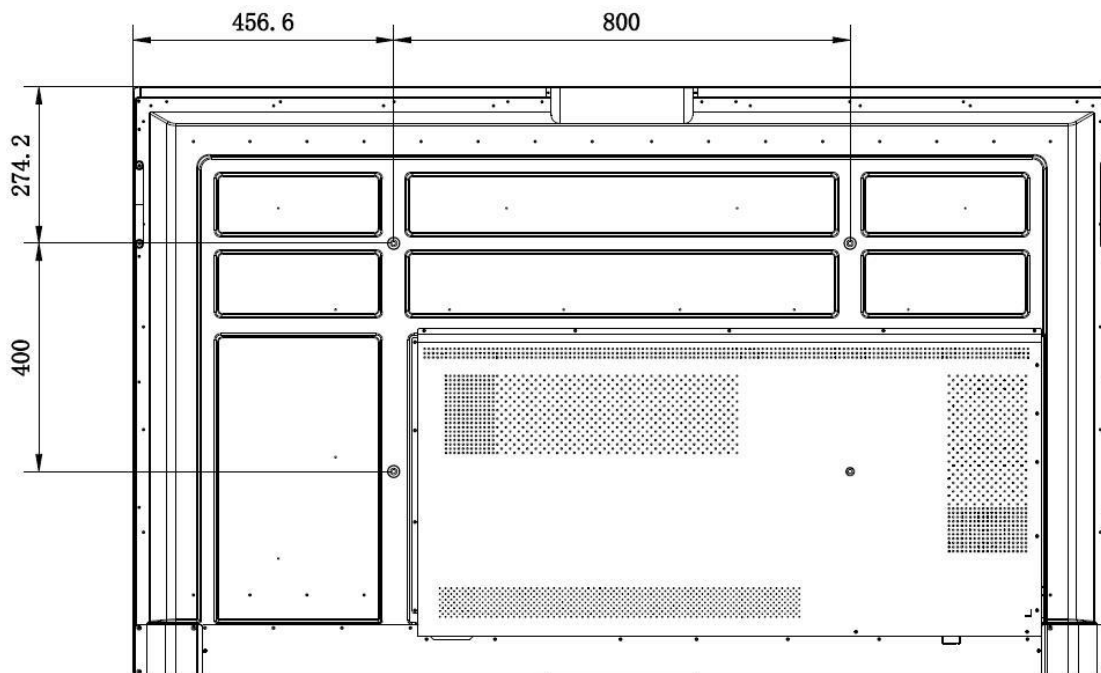
▪ Available Model

DS-D5C75RB/B

ID75HZA3B1/C/NOD

▪ Dimension





Headquarters

No.555 Qianmo Road, Binjiang District,
Hangzhou 310051, China
T +86-571-8807-5998
www.hikvision.com



Follow us on social media to get the latest product and solution information.

