

SR860-EUK

SMARTMOUNT. Flat Panel Trolley

FOR 43" TO 75"+ DISPLAYS



Mounting Pattern
200 x 200 up to
800 x 400mm



Max Load
125lb
(56.7kg)

- Improved leg design offers better movement around the display, such as when using a touch display or presenting to an audience
- Tube design and spacing allows for an easier way of transporting the display thanks to flexible handling locations
- 813 x 279mm fixed shelf provides a convenient place to set laptops, notebooks, pens, etc.
- Optional ACC-UCM accessory can be added to the rear of the trolley for mounting of additional AV devices
- Tested to UL Standards
- Includes preinstalled IEC Cable



REMOVABLE REAR COVER

Sits behind the rear of the display and provides a clean, concealed area for managing cabling and components (Shelf is made of ABS plastic; materials do not degrade WiFi signals)



Included IEC cable is preinstalled through the trolley tubing (C13 at top)

HEIGHT ADJUSTMENT

Allows displays to be positioned 1.25m to 1.65m from the floor



HIDDEN CABLE MANAGEMENT

Hinged rear cover provides hidden storage for the power cable when moving or storing the trolley



IEC cable exits the trolley tubing and is managed at the rear of the trolley (C14 at bottom)

SAFE AND EASY MANEUVERABILITY

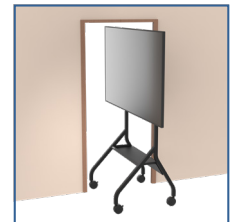
4" (102mm) dual-wheeled casters (two locking) allow the trolley to easily move across tile, carpet, and thresholds



Complies with ADA Standards for Accessible Design, Section 308



The frame design of the trolley is optimized for storing multiple trolleys in a reduced footprint



The leg design allows the trolley to easily pass through doorways as small as 30" (762mm) wide

Please visit peerless-av.com/en-us/patents for patent information.



info@peerless-av.com
peerless-av.com

peerless-AV
Driving Technology Through Innovation

SR860-EUK	SmartMount® Flat Panel Trolley for 43" to 75"+ Displays
------------------	---

Product Specifications

	DIMENSIONS (W X H X D)	PRODUCT WEIGHT	LOAD CAPACITY	FINISH	AVAILABLE COLOURS
SR860-EUK	35.49" x 77.09" x 28.99" (902 x 1958 x 736mm)	70lb (31.8kg)	125lb (56.7kg)	Textured Powder Coat	Black

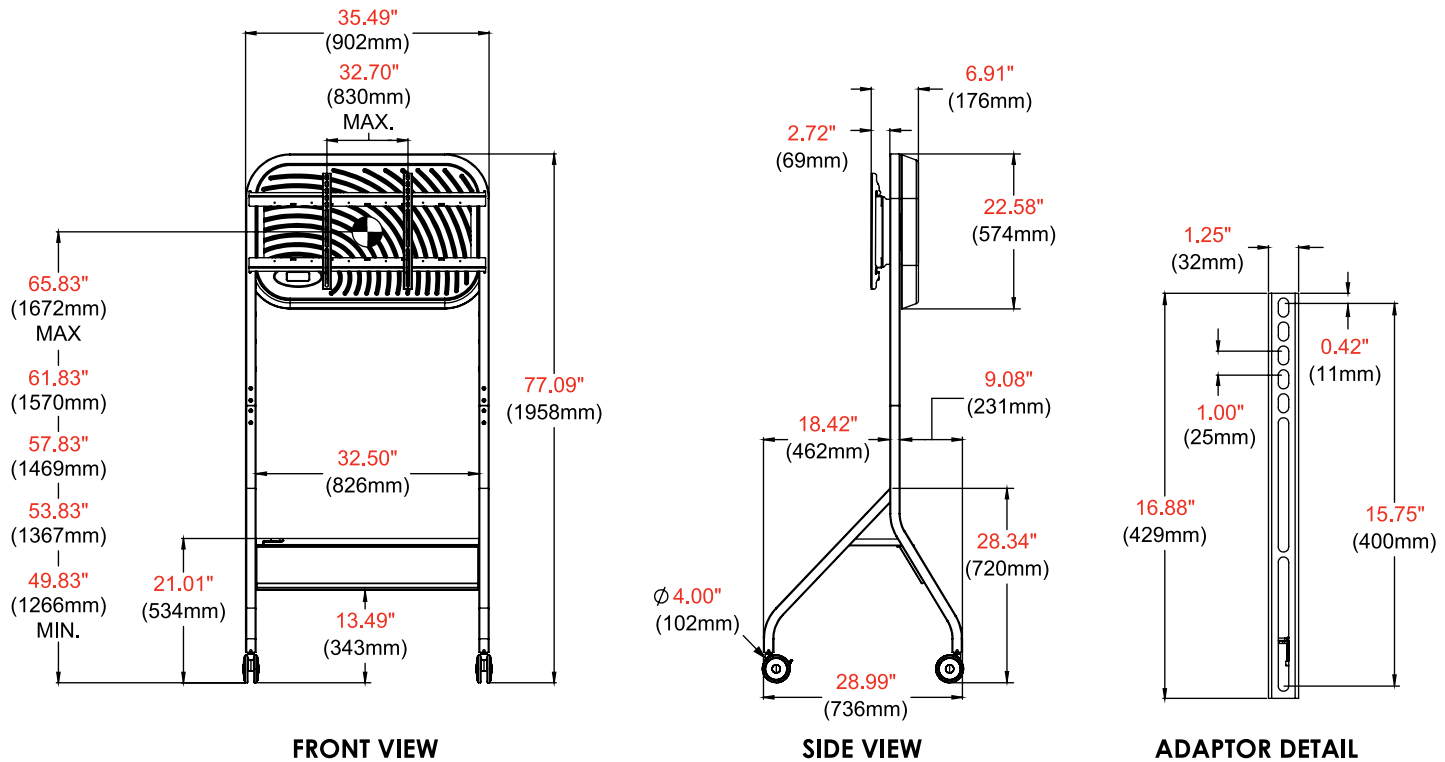
Package Specifications

	PACKAGE SIZE (W x H x D)	PACKAGE SHIP WEIGHT	PACKAGE UPC CODE	PACKAGE CONTENTS	UNITS IN PACKAGE
SR860-EUK	44.1" x 37.8" x 6.11" (1120 x 960 x 155mm)	81.8lb (37.1kg)	735029351023	Right and Left Frames, Upright Tube, Steel Shelf, Universal Display Adaptor, (2) Swivel Casters, (2) Locking Swivel Casters, ABS Rear Cover, Hardware & Instructions	1

Accessories

ACC149	(2) 600mm tall Adaptor Brackets	ACC-SB2	Large Universal Soundbar / VC Mount
ACC151	Replacement Caster Kit (2 locking, 2 non-locking)	ACC-UCM:	Universal AV Component Mount
ACC310:	Leveling Feet Accessory	ACC-V900X:	600, 800 and 900mm VESA® Adaptor

All dimensions = **inch** (mm)



Architect Specifications

The SmartMount® Flat Panel Trolley shall be a Peerless-AV model SR860-EUK and shall be located where indicated on the plans. Assembly and installation shall be done according to instructions provided by the manufacturer.

Visit peerless-av.com to see the complete line of AV solutions from Peerless-AV, including outdoor displays, kiosks, display mounts, projector mounts, trolleys/stands, and a full assortment of accessories.

Peerless-AV
2300 White Oak Circle
Aurora, IL 60502
USA
(800) 865-2112
(630) 375-5100

Peerless-AV EMEA
Unit 2 Curo Park
Frogmore, St. Albans
Hertfordshire, AL2 2DD
United Kingdom
+44 (0) 1923 200 100

Peerless-AV B.V.
Papendorpseweg 75
3528 BJ Utrecht
The Netherlands
+31 (0) 70 770 8037

Peerless-AV Latin America
Av. de las Industrias 413
Parque Industrial Escobedo
General Escobedo, N.L.,
México, 66062
+52 (81) 8384-8300

