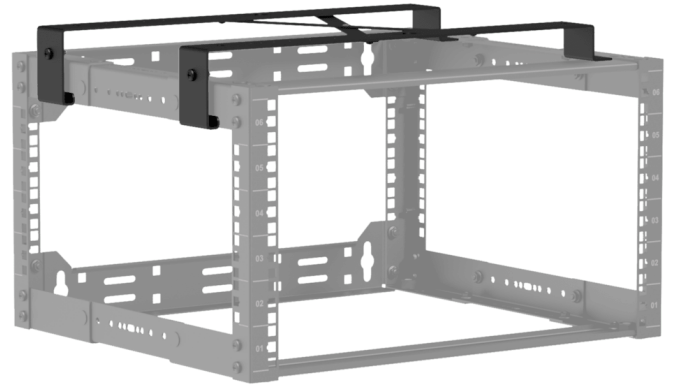


Ceiling mounting bracket for OPR3xxA and OPR5xxA series

The OPR300C ceiling mounting bracket is designed to mount the OPR3xxA and OPR5xxA series, 19" in depth adjustable open-frame racks under a table, desk or other flat surfaces. This enables you to hide the rack beneath a desk or even in a suspended ceiling.

Can only be used in combination with OPR5xxA when adjusted to max. 550 mm depth.

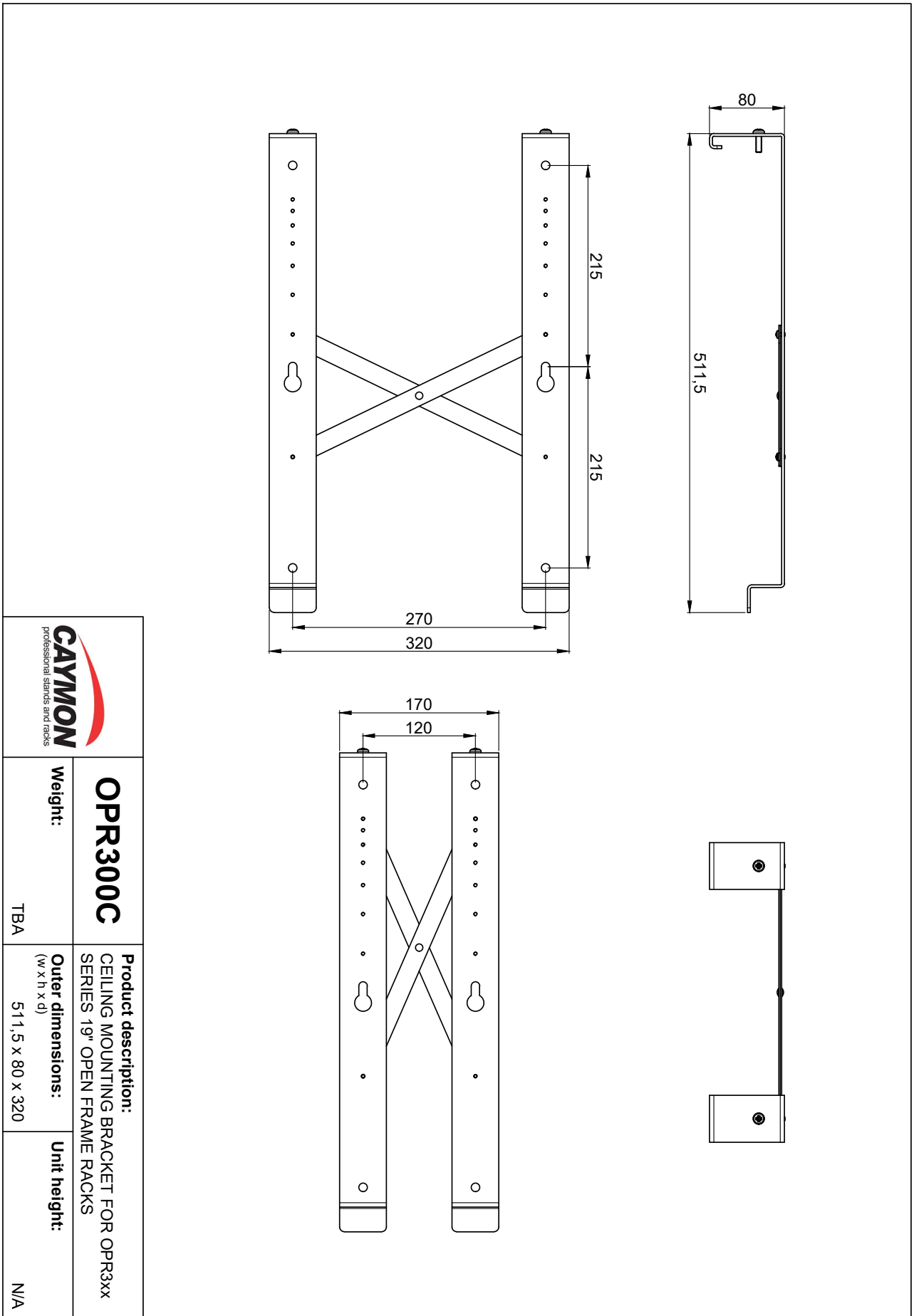



Product Features:

Colours	Black (RAL9004)
Construction	Cold rolled steel
Dimensions	511,5 x 80 x 320 mm (W x H x D)
Max. load hanging	50 kg

Variants:

- OPR300C/B - Black



	OPR300C	Product description: CEILING MOUNTING BRACKET FOR OPR3xx SERIES 19" OPEN FRAME RACKS	Unit height: N/A
	Weight: TBA	Outer dimensions: (w x h x d) 511,5 x 80 x 320	Unit height: N/A