

MEDIUM FUSION MICRO-ADJUSTABLE FIXED WALL DISPLAY MOUNT



Certifications	UL Listed
Color	Black
Lateral Shift	32.7 cm
Manual Height Adjustment	2.5 cm
Mounting Pattern Compatibility (Universal Versions)	100 x 100 mm - 650 x 400 mm
Orientation	Landscape
Overall Dimensions (HxWxD)	464 x 654 x 51 mm
Shipping Weight	7.8 kg
Solution Type	Universal
Typical Screen Sizes*	26 - 47"
Weight Capacity	57 kg



Color option:



*Always check compatibility with the Chief mountfinder on the Chief website.

SPECIFICATIONS

- 250mm post installation micro-zone height and levelling.
- Pull cord release system offsets the bottom of the display and mount 15 degrees
- Open wall plate design for mounting over electrical outlets
- Post installation lateral shift of minimum 45 cm lateral shift left and right
- Compatible accessories for media, camera and codec storage can be connected to the mount system.
- VESA compatible: 100 x 100 - 650 x 400
- Orientation: Landscape
- Overall Dimensions (HxWxD): 464 x 654 x 51 mm
- Weight capacity: 57 kg
- Color: Black
- Certifications: UL

RECOMMENDED ACCESSORIES



FCA112

Fits CPUs up to 41 mm thick behind Chief's FUSION mounts



FCA800

20 cm wide shelf sits above or below display to hold AV components



FCA113

Holds a CPU or other components on the configurable shelf up to 13.6 kg



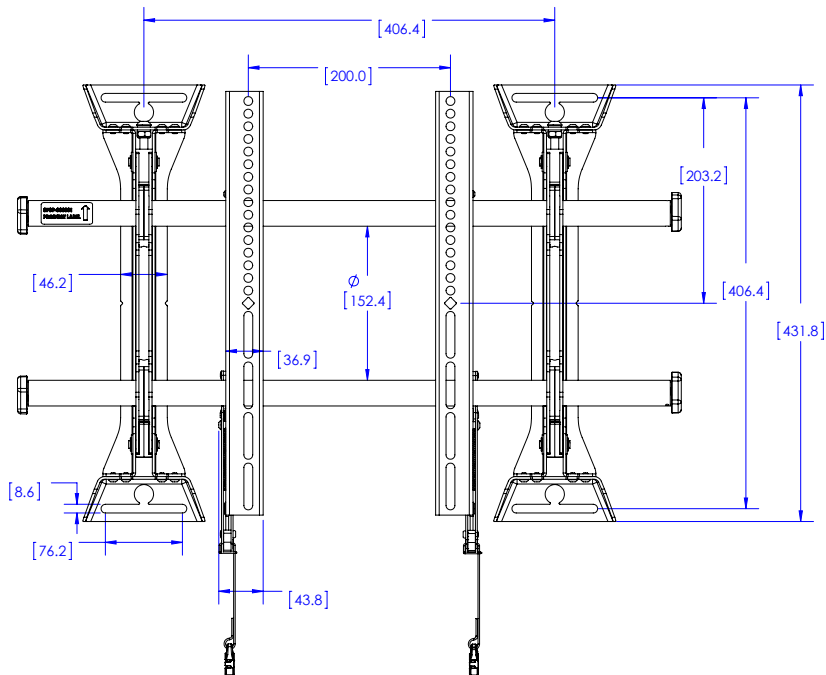
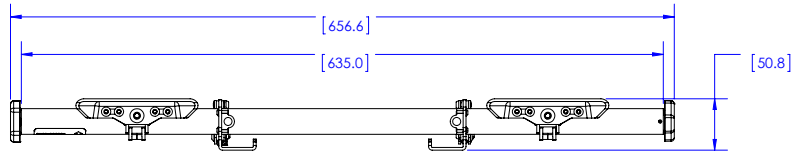
FCA801

35 cm wide shelf sits above or below display to hold AV components

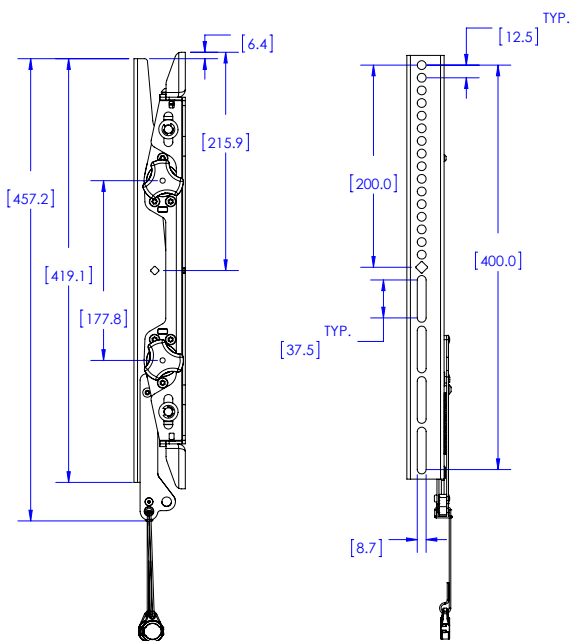


TECHNICAL DRAWINGS

Dimensions in mm.



RAILS CAN BE SLID LEFT OR RIGHT



A BRAND OF MILESTONE AV TECHNOLOGIES - www.chiefmfg.com

USA P 800.582.6480 / +1.952.225.6000 - F 877.894.6918 / +1.952.894.6918 - chief@chiefmfg.com
 Canada P 877.345.4329 - F 888.377.5314 - canadainfo@milestone.com
 EMEA P +31 495 580 840 - F +31 495 580 845 - emea.sales@milestone.com
 Asia Pacific P +852 2145 4099 - F +852 2145 4477 - asia.chief@milestone.com

