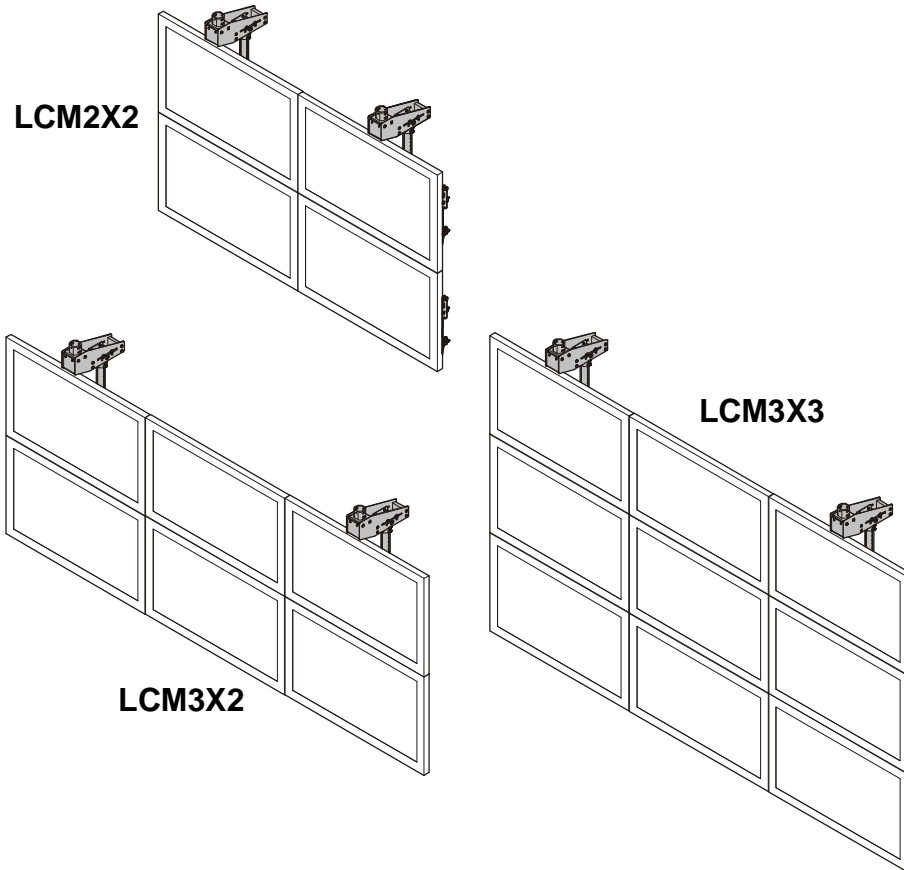

INSTALLATION INSTRUCTIONS




Ceiling Mounted Video Walls


DISCLAIMER


Milestone AV Technologies and its affiliated corporations and subsidiaries (collectively "Milestone"), intend to make this manual accurate and complete. However, Milestone makes no claim that the information contained herein covers all details, conditions or variations, nor does it provide for every possible contingency in connection with the installation or use of this product. The information contained in this document is subject to change without notice or obligation of any kind. Milestone makes no representation of warranty, expressed or implied, regarding the information contained herein. Milestone assumes no responsibility for accuracy, completeness or sufficiency of the information contained in this document.


Chief® is a registered trademark of Milestone AV Technologies. All rights reserved.


 **IMPORTANT SAFETY INSTRUCTIONS**


 **WARNING:** A WARNING alerts you to the possibility of serious injury or death if you do not follow the instructions.

 **CAUTION:** A CAUTION alerts you to the possibility of damage or destruction of equipment if you do not follow the corresponding instructions.

 **WARNING:** Failure to read, thoroughly understand, and follow all instructions can result in serious personal injury, damage to equipment, or voiding of factory warranty! It is the installer's responsibility to make sure all components are properly assembled and installed using the instructions provided.


 **WARNING:** Failure to provide adequate structural strength for this component can result in serious personal injury or damage to equipment! It is the installer's responsibility to make sure the structure to which this component is attached can support five times the combined weight of all equipment. Reinforce the structure as required before installing the component.


 **WARNING:** Use this mounting system only for its intended use as described in these instructions. Do not use attachments not recommended by the manufacturer.

 **WARNING:** Exceeding the weight capacity can result in serious personal injury or damage to equipment! It is the installer's responsibility to make sure the combined weight of all components located within the mounting system of the LCM Series model does not exceed maximum weights listed in table below.

MODEL	Max Weight Allowed for <u>EACH</u> Display	Max Weight Capacity of Mounting System
LCM2X2U	125 lbs (56.7 kg)	500 lbs (226.8 kg)
LCM3X2U	125 lbs (56.7 kg)	750 lbs (340.2 kg)
LCM3X3U	85 lbs (38.6 kg)	765 lbs (347.0 kg)

LCM2X2U		LCM3X2U		
125 lbs	125 lbs	125 lbs	125 lbs	125 lbs
125 lbs	125 lbs	125 lbs	125 lbs	125 lbs
LCM3X3U				
85 lbs	85 lbs	85 lbs		
85 lbs	85 lbs	85 lbs		
85 lbs	85 lbs	85 lbs		

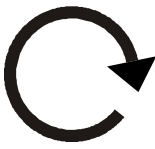

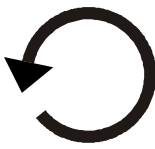









 **WARNING:** Never operate this mounting system if it is damaged. Return the mounting system to a service center for examination and repair.

 **WARNING:** Do not use this product outdoors.

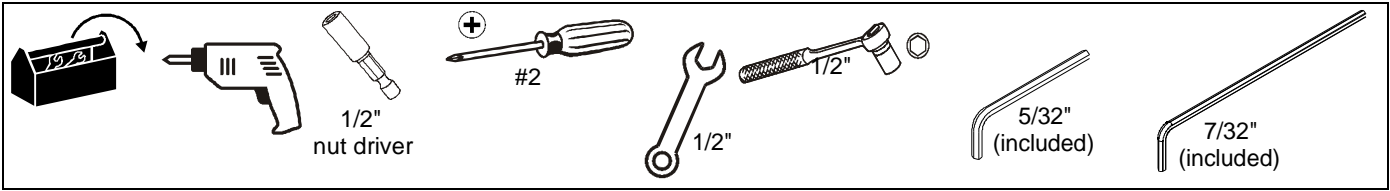
NOTE: The LCM Series ceiling mounted video walls are intended to be used with the UL Listed CPA Ceiling Plates (not included): CPA330, CPA365, CPA395. The following UL Listed Chief ceiling plates WITHOUT swaged collars (not included) may also be used: CMA330, CMA345, CMA395.

--SAVE THESE INSTRUCTIONS--

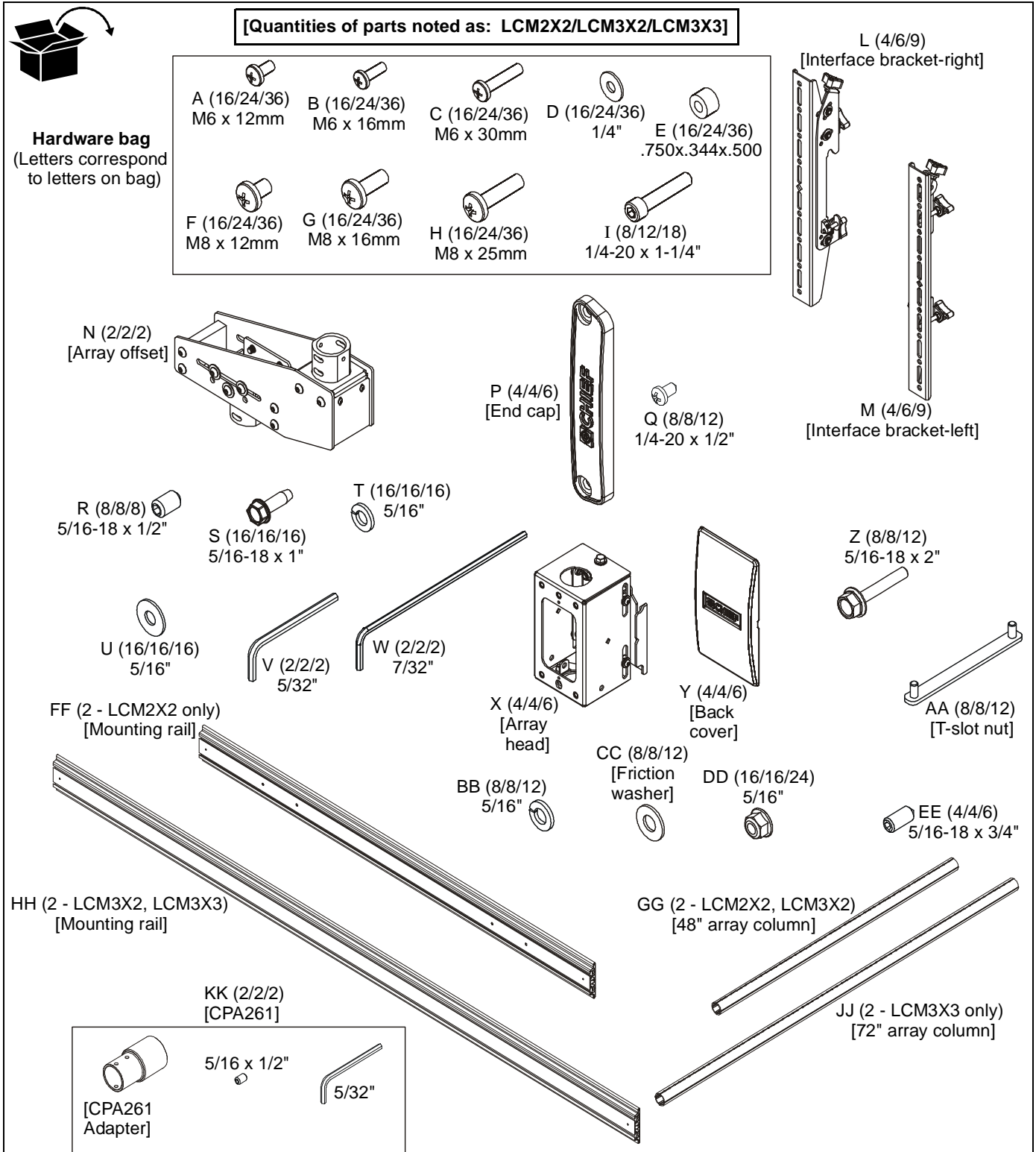
LEGEND

	<p>Tighten Fastener</p> <p>Apretar elemento de fijación</p> <p>Befestigungsteil festziehen</p> <p>Apertar fixador</p> <p>Serrare il fissaggio</p> <p>Bevestiging vastdraaien</p> <p>Serrez les fixations</p>		<p>Pencil Mark</p> <p>Marcar con lápiz</p> <p>Stiftmarkierung</p> <p>Marcar com lápis</p> <p>Segno a matita</p> <p>Potloodmerkteken</p> <p>Marquage au crayon</p>
	<p>Loosen Fastener</p> <p>Aflojar elemento de fijación</p> <p>Befestigungsteil lösen</p> <p>Desapertar fixador</p> <p>Allentare il fissaggio</p> <p>Bevestiging losdraaien</p> <p>Desserrez les fixations</p>		<p>Drill Hole</p> <p>Perforar</p> <p>Bohrloch</p> <p>Fazer furo</p> <p>Praticare un foro</p> <p>Gat boren</p> <p>Percez un trou</p>
	<p>Phillips Screwdriver</p> <p>Destornillador Phillips</p> <p>Kreuzschlitzschraubendreher</p> <p>Chave de fendas Phillips</p> <p>Cacciavite a stella</p> <p>Kruiskopschroevendraaier</p> <p>Tournevis à pointe cruciforme</p>		<p>Adjust</p> <p>Ajustar</p> <p>Einstellen</p> <p>Ajustar</p> <p>Regolare</p> <p>Afstellen</p> <p>Ajuster</p>
	<p>Open-Ended Wrench</p> <p>Llave de boca</p> <p>Gabelschlüssel</p> <p>Chave de bocas</p> <p>Chiave a punte aperte</p> <p>Steeksleutel</p> <p>Clé à fourche</p>		<p>Remove</p> <p>Quitar</p> <p>Entfernen</p> <p>Remover</p> <p>Rimuovere</p> <p>Verwijderen</p> <p>Retirez</p>
	<p>By Hand</p> <p>A mano</p> <p>Von Hand</p> <p>Com a mão</p> <p>A mano</p> <p>Met de hand</p> <p>À la main</p>		<p>Optional</p> <p>Opcional</p> <p>Optional</p> <p>Opcional</p> <p>Opzionale</p> <p>Optie</p> <p>En option</p>
	<p>Hex-Head Wrench</p> <p>Llave de cabeza hexagonal</p> <p>Sechskantschlüssel</p> <p>Chave de cabeça sextavada</p> <p>Chiave esagonale</p> <p>Zeskantsleutel</p> <p>Clé à tête hexagonale</p>		<p>Security Wrench</p> <p>Llave de seguridad</p> <p>Sicherheitsschlüssel</p> <p>Chave de segurança</p> <p>Chiave di sicurezza</p> <p>Veiligheidsleutel</p> <p>Clé de sécurité</p>

TOOLS REQUIRED FOR INSTALLATION



PARTS



INSTALLATION

IMPORTANT ! : Refer to **Dimensions** section at end of instructions to find specific LCM video wall dimension requirements **BEFORE** proceeding with installation.

NOTE: The following procedure assumes that 2 UL Listed CPA or CMA ceiling plates (not included) and 2 extension columns (not included) have been properly installed following instructions provided with ceiling plates and extension columns.

- The ceiling plates and columns should be installed approximately spaced at center of outside screens. (See **Dimensions** drawings at end of instructions.)

IMPORTANT ! : The weight of the system should be evenly distributed across two ceiling plates.

Installing Array Offset

- Measure depth of screens to be installed and compare to offset position information. (See Table 1)

Table 1: Offset Position for Screen Depth

ARRAY OFFSET	Forward Position	Center Position	Rear Position
Screen Depth	< 2.5" depth	2.5" to 4.5" depth	> 4.5" depth

NOTE: The array offset (N) ships in the centered position. If the screen depth is 2.5" to 4.5" leave the array offset as is, and proceed to **Attaching Array Offset to Installed Column** section.

- Loosen and remove fastener and washer from center hole on each side of array offset (N). (See Figure 1)
- Loosen two outside fasteners on each side of array offset (N).
- Slide offset to appropriate position. (See Figure 1)
- Tighten two outside fasteners on each side of offset.
- Install and tighten fastener with washer (removed in Step 2) into appropriate hole on each side of offset. (See Figure 1)

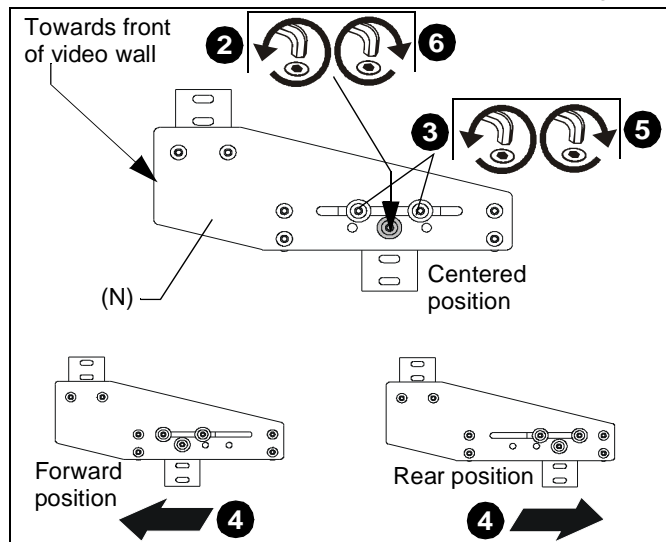


Figure 1

- Repeat for remaining array offset (N).

Attaching Array Offset to Installed Column

NOTE: If the column attached to the ceiling plate is a 1-1/2" NPT column, the UL Listed CPA261 adapter accessory (KK) must first be installed following instructions included with the accessory. No adapter is necessary if attaching to a UL listed CPA extension column.

NOTE: Installation of hex head self-tapping screws will be easier when screws are carefully aligned with holes in extension column, and a drill and nut driver is used. If a drill will NOT be used, a small amount of pressure will be needed to get the self-tapping screws started.

- Secure array offset (N) to extension column (not included) using four 5/16-18 x 1" hex head self-tapping screws (S), four 5/16" split lock washers (T) and four 5/16" flat washers (U) through holes in extension column. (See Figure 2)
- Install two 5/16" x 1/2" set screws (R) into threaded holes, tightening firmly against column. (See Figure 2)

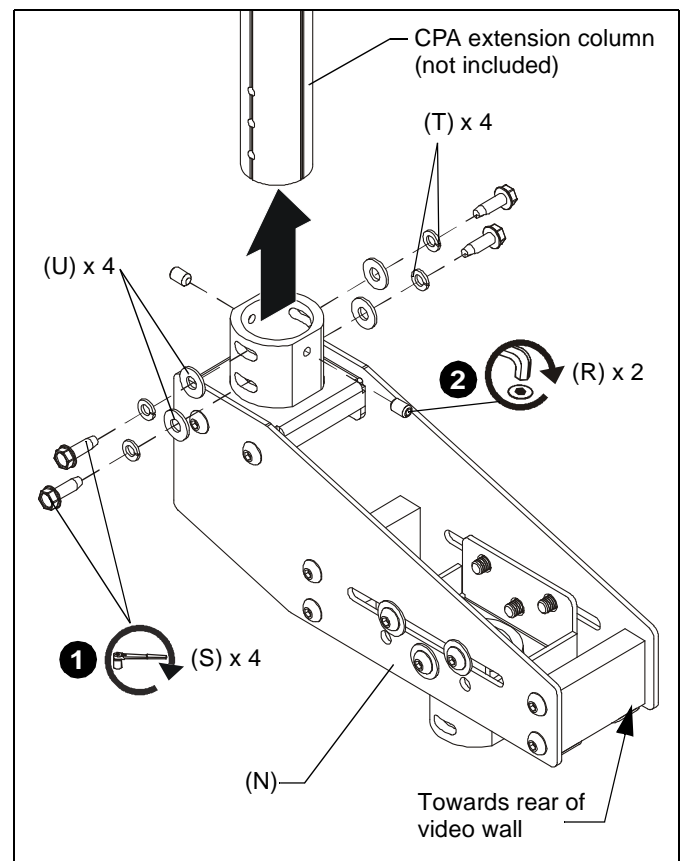


Figure 2

Installing Interface Brackets to Displays

1. Place displays face down on a soft, non-abrasive surface.

IMPORTANT ! : Screen width information is contained in the **Dimension** drawings at the end of these instructions.



CAUTION: Using screws of improper diameter may damage your display! Proper screws will easily thread into display mounting holes.

2. Select screw *diameter* by examining hardware (A-C and F-H) (6mm or 8mm) and comparing with mounting holes on display. (See Figure 3)
3. Select spacers:
 - Spacers are **NOT** required if mounting holes are not recessed and interface brackets (L and M) can lay flat against display.
 - Spacers (E) **ARE** required if mounting holes are recessed, or if protrusions prevent interface brackets (L and M) from laying flat.



CAUTION: Using screws of improper length may damage your display! Proper screws will have adequate thread engagement without contacting bottom of display mounting holes.

4. Select screw *length*: (See Figure 3)
 - By hand, insert **SHORTEST** length screw of selected diameter (A or F) through 1/4" washer (D), bracket (L or M), selected spacer (E, if required), into display mounting hole. Do **NOT** thread screw into hole at this time.
 - Proper screw length requires base of screw head to protrude above flat washer a *distance equal to or greater than the screw diameter*. If screw length is inadequate, select longer screw. Select *shortest* screw which will protrude the required distance.
5. Make sure diamond on interface brackets is even with center of display. (See Figure 3)
6. Use selected screws (A-C or F-H), washers (D) and spacers (E, if necessary), to connect interface brackets (L and M) to back of display. (See Figure 3)

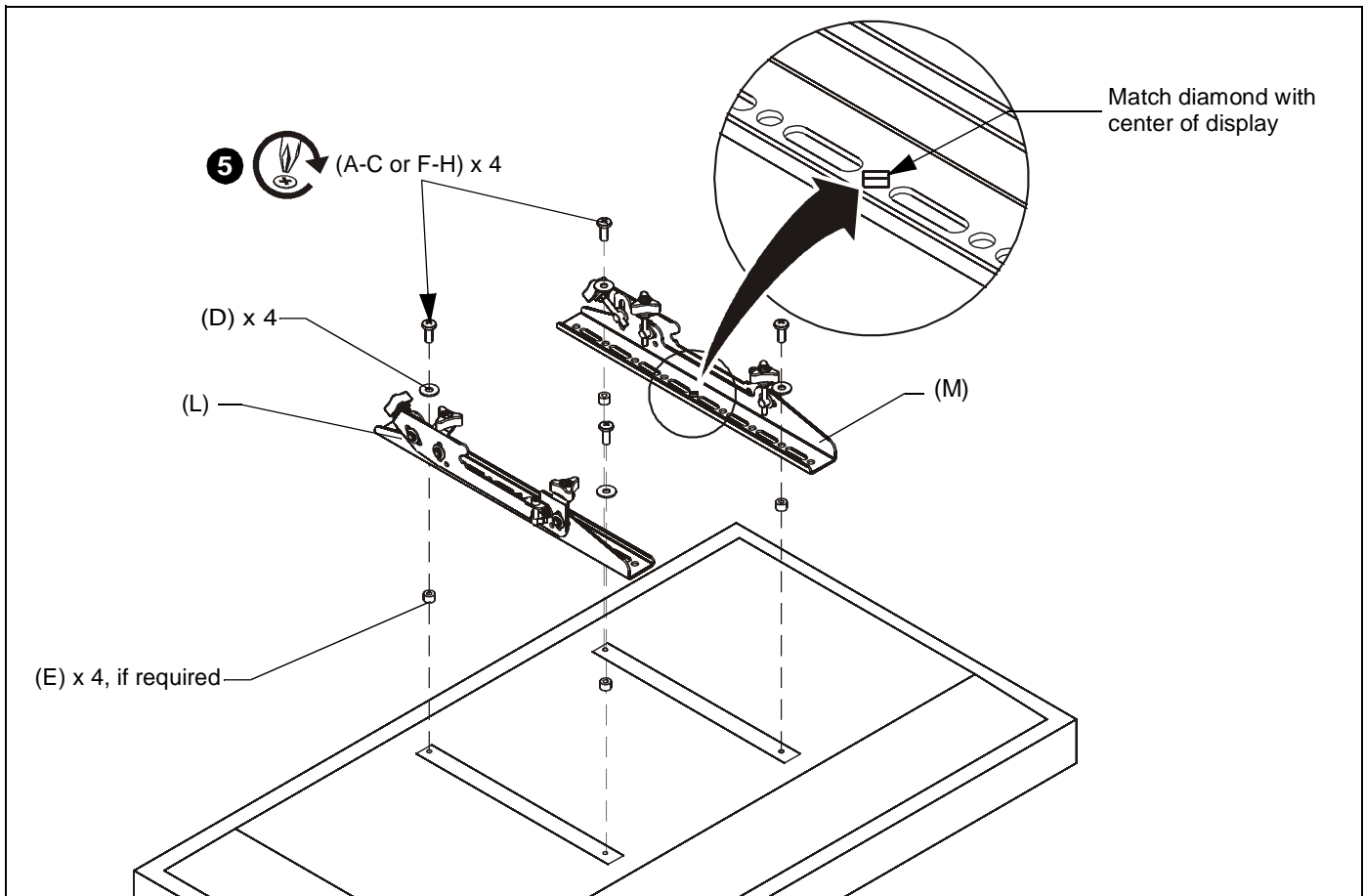


Figure 3

Adding Array Heads to Columns

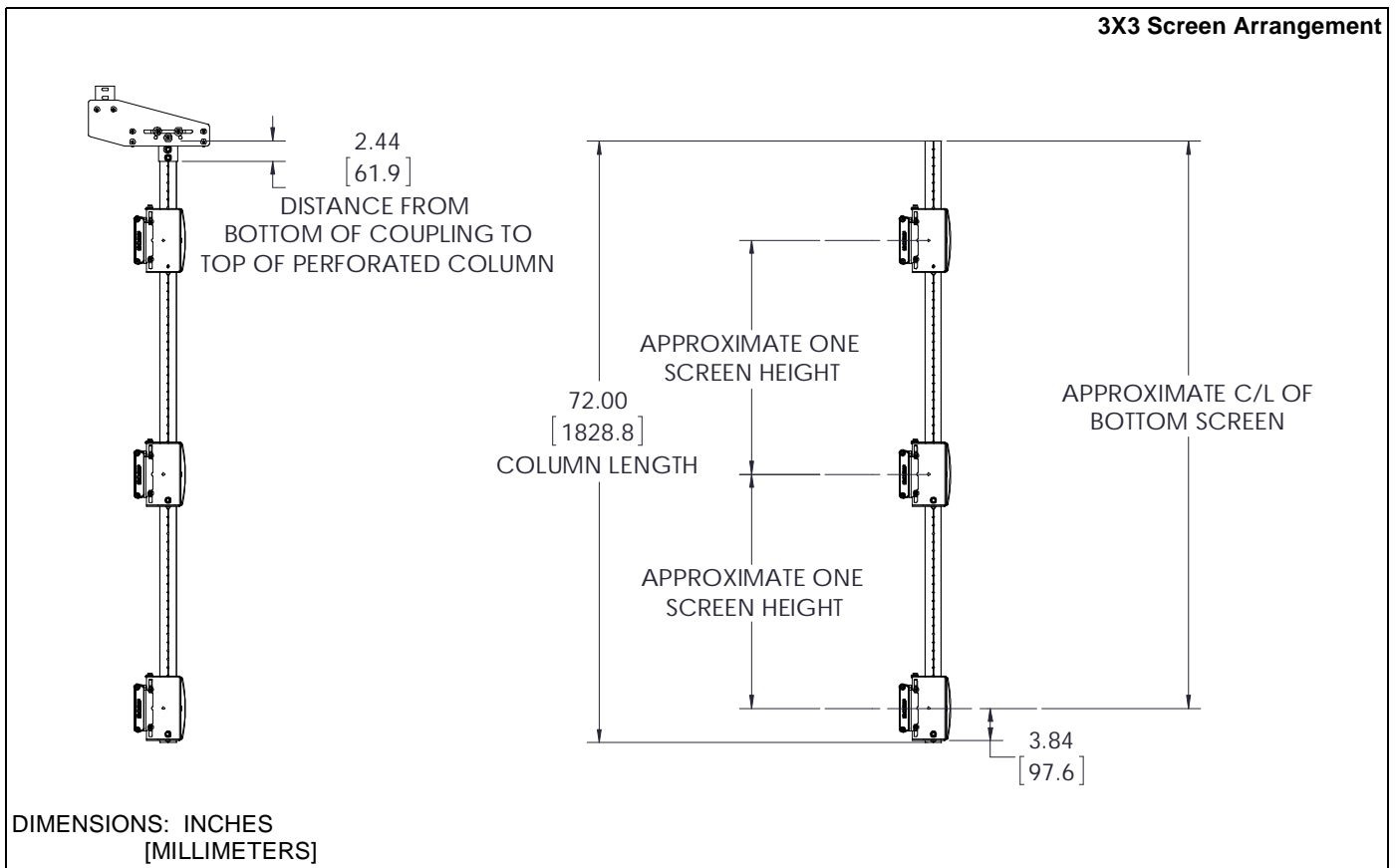
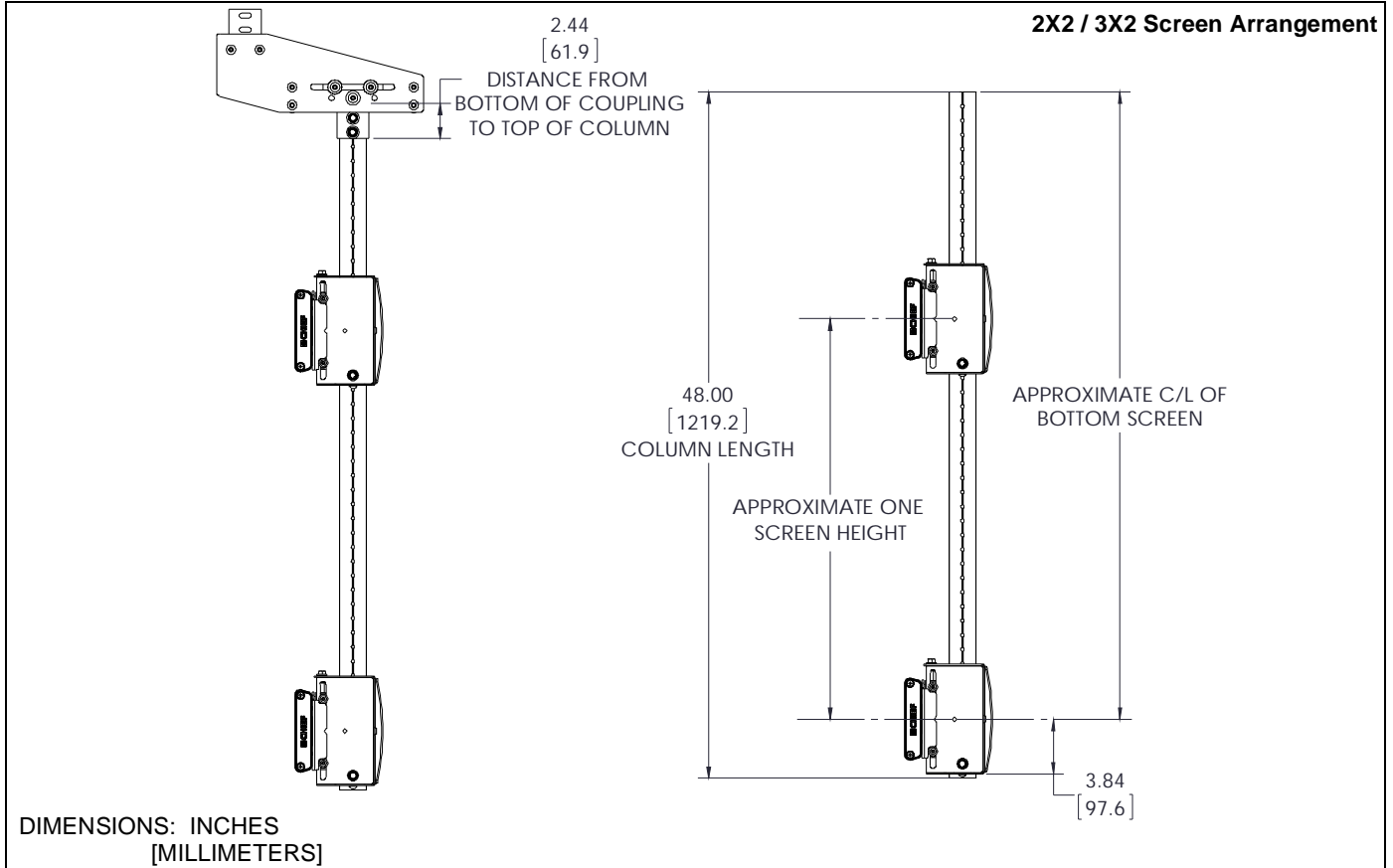


Figure 4

1. Lay columns (GG or JJ) on floor and carefully place display next to columns. (See Figure 4) and (See Figure 5)
2. Mark center of display (diamond on interface brackets) onto both columns. (See Figure 5)
3. Measure one screen height up on the columns from the first mark. (See Figure 4) and (See Figure 5)

NOTE: Be sure to make two marks on the column for the LCM2X2U and LCM3X2U. Measure one more screen height up on the columns and make a third mark for the LCM3X3U.

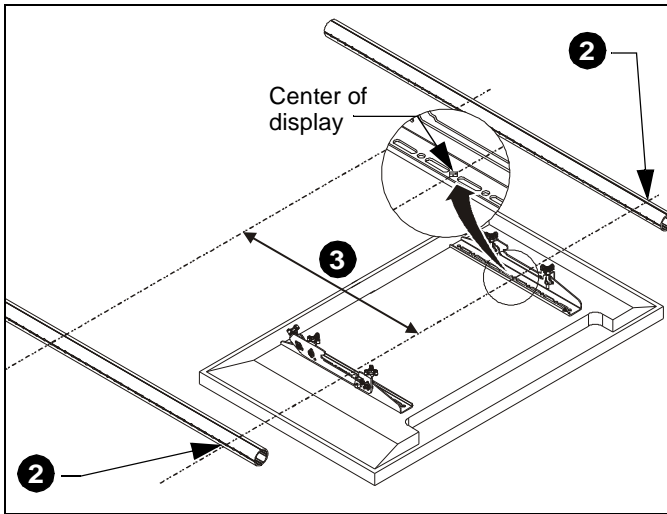


Figure 5

4. Make a mark at upper spot on both columns. (See Figure 4)
5. Slide an array head (X) onto column up to the highest mark on the column.

IMPORTANT ! : Match the center marks on the array head with the mark on the column. (See Figure 6)

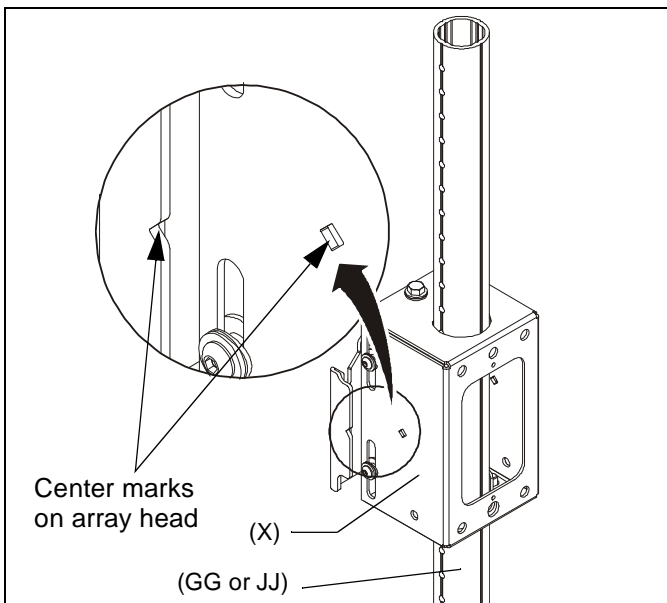


Figure 6

NOTE: Installation of hex head self-tapping screws will be easier when screws are carefully aligned with holes in extension column, and a drill and nut driver is used. If a drill will NOT be used, a small amount of pressure will be needed to get the self-tapping screws started.

6. Attach array head (X) to column using two 5/16" x 2" hex head self-tapping screws (Z), two 5/16" split washers (BB), and two 5/16" friction washers (CC). (See Figure 7)

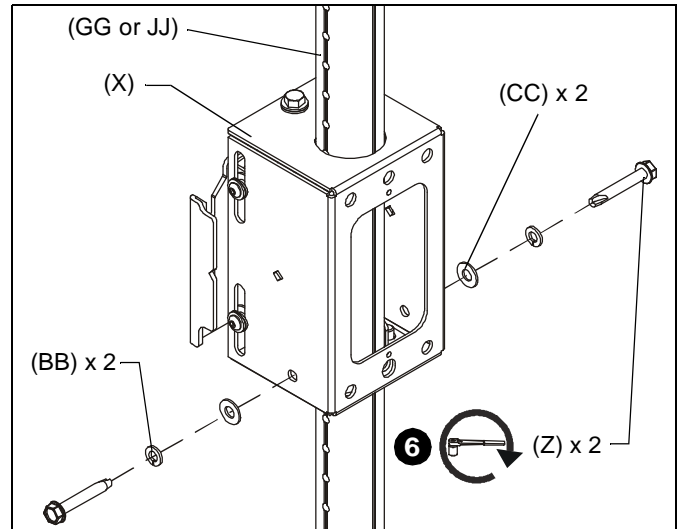


Figure 7

7. Fasten one 5/16-18 x 3/4" set screw (EE) into top center hole of array head. (See Figure 8)
8. Repeat for each remaining array head. (See Figure 8)

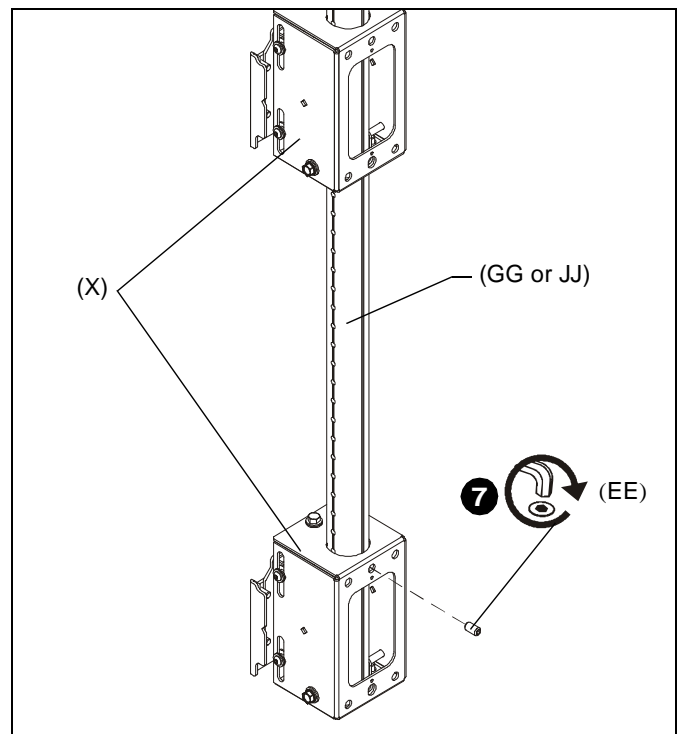


Figure 8

Attaching Column Assembly to Array Offset

1. Arrange column assembly so that the open side of the array head (X) is facing the back of the video wall. (See Figure 9)
2. Loosely fasten column assembly to array offset (N) using four 5/16" x 1" hex head self-tapping screws (S), four 5/16" split washers (T), and four 5/16" washers (U). (See Figure 9)

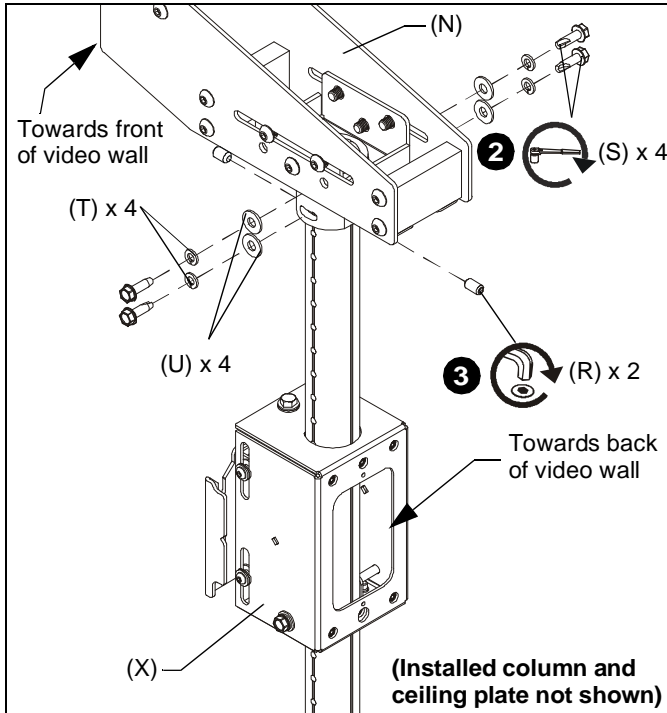


Figure 9

3. Add two 5/16-18 x 1/2" set screws (R) to lower end of array offset (N).
4. Repeat for remaining column assembly and array offset (N).

Adding Mounting Rails

1. Slide two T-slot nuts (AA - one in top mounting rail slot and one in bottom) for each screen into end of mounting rail (FF or HH). (See Figure 10)

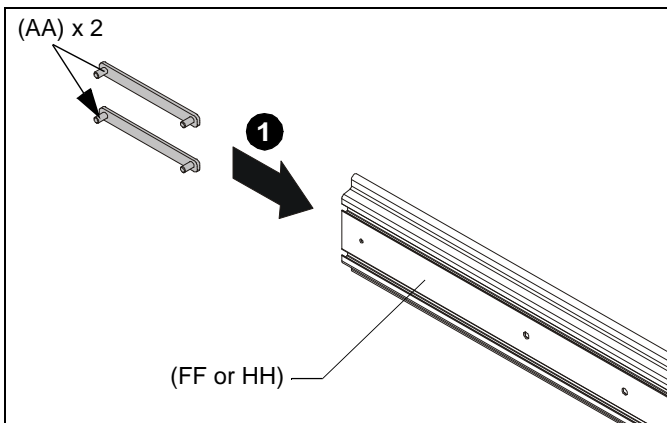


Figure 10

2. Partially fasten one 5/16" lock nut (DD) to each stud on upper T-slot nuts.

3. Slide top T-slot nuts (AA) with attached lock nuts (DD) down into top openings on array head (X). (See Figure 11)
4. Slide studs on lower T-slot nuts (AA) into lower slots on array head (X) while bringing mounting rail against array head (X).
5. Tighten array head to mounting rail by tightening lock nuts on upper T-slot nuts and adding two 5/16" lock nuts (DD) to lower T-slot nuts. (See Figure 11)

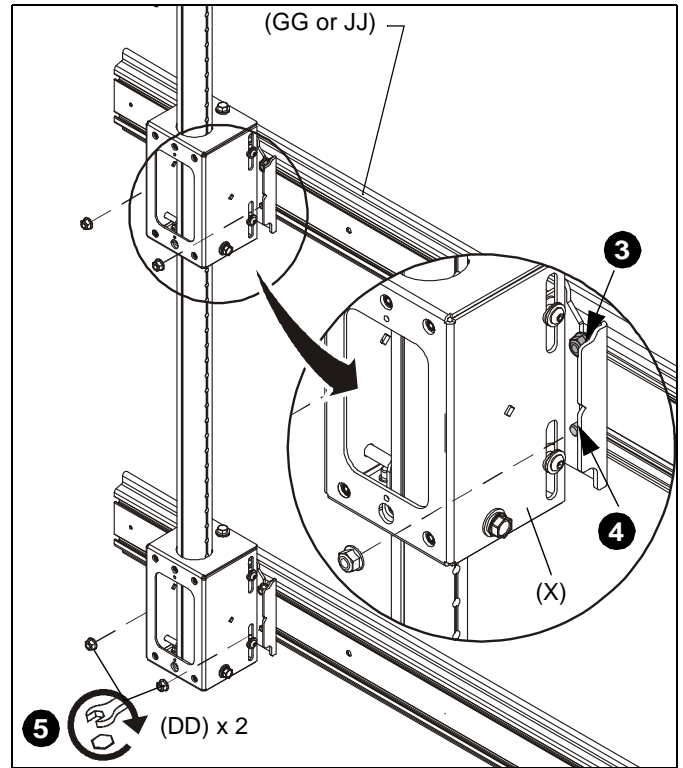


Figure 11

6. Repeat for remaining mounting rail and array heads (X).
7. Tighten bolts which were loosely fastened in array offset (N).
8. Add end cap (P) to end of mounting rail, and fasten in place using two 1/4-20 x 1/2" Phillips pan head screws (Q). (See Figure 12)

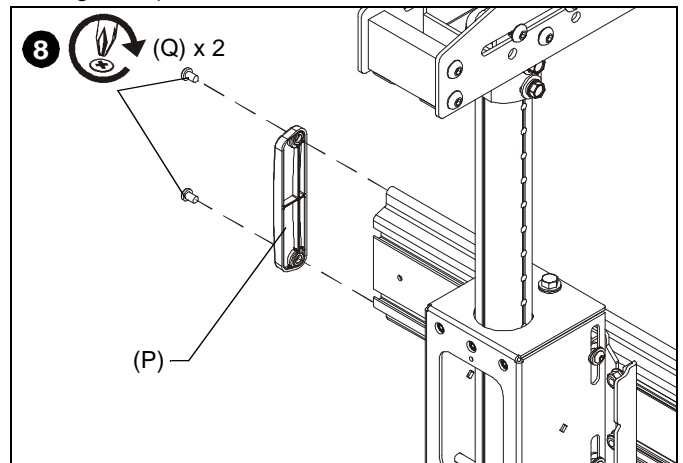


Figure 12

9. Repeat for each end of remaining mounting rail(s).

Adding Displays to Mounting Rails

WARNING: Exceeding the weight capacity can result in serious personal injury or damage to equipment! It is the installer's responsibility to make sure the combined weight of all components located within the mounting system of the LCM Series model does not exceed maximum weights listed in table below.

MODEL	Max Weight Allowed for <u>EACH</u> Display	Max Weight Capacity of Mounting System
LCM2X2U	125 lbs (56.7 kg)	500 lbs (226.8 kg)
LCM3X2U	125 lbs (56.7 kg)	750 lbs (340.2 kg)
LCM3X3U	85 lbs (38.6 kg)	765 lbs (347.0 kg)

WARNING: Improper display installation can result in serious personal injury or damage to equipment! Install displays from the bottom to the top. Install all displays evenly in each row before proceeding to a higher row. Do NOT mount all of the displays on one side. On the LCM3X3, mount the center display in each row prior to installing the outside displays in that same row. (See Figure 13)

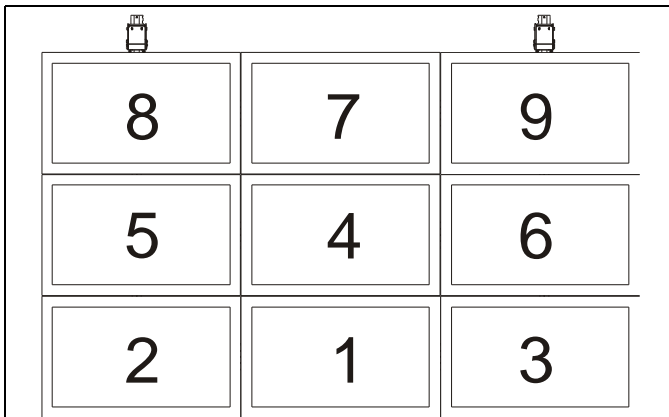


Figure 13

CAUTION: BEFORE adding displays to the mounting rails, ensure end caps are in place at BOTH ends of mounting rail!

1. If necessary, make height adjustments to the bottom rail by using adjustment points on the array heads (X). (See Figure 14)
2. While holding mounting rail, loosen button head screws on sides of array heads (X).
3. Level and move mounting rail up or down as necessary.
4. Tighten button head screws on sides of array heads (X).

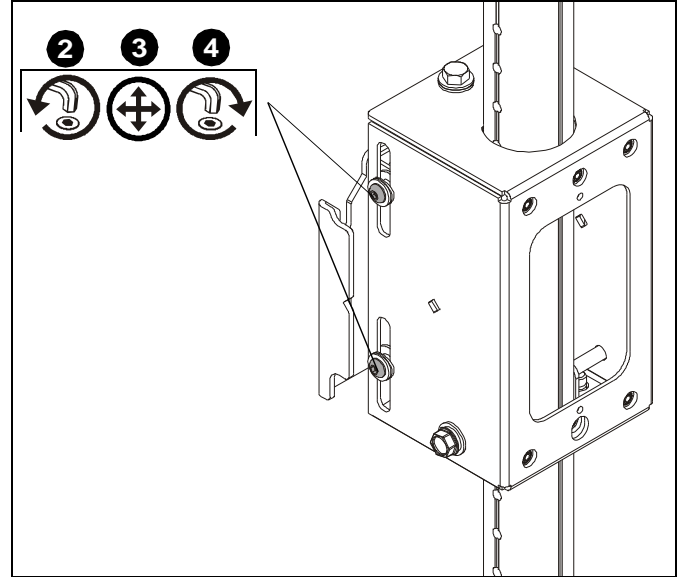


Figure 14

5. Open latch on attached interface brackets. (See Figure 15)

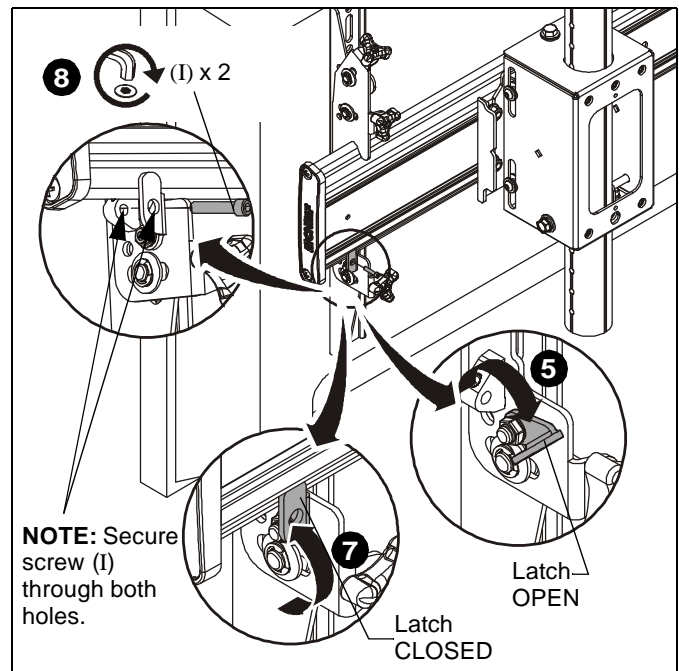


Figure 15

6. Hang displays with attached interface brackets over mounting rail.
7. Raise latch on interface bracket and close into place against mounting rail. (See Figure 15)
8. Fasten latch into place using one 1/4-20 x 1-1/4" socket head screw (I). (See Figure 15)

NOTE: Socket head screws (I) must engage through both holes to be fully secured. (See Figure 15)

9. Repeat for each interface bracket on the mounting rail.



CAUTION: **ALWAYS** keep a small distance between screens when making adjustments! Damage to screens possible if placed too close together.

10. Move displays so that screens are flush and level with each other.
11. Use upper knob on back of interface brackets (L and M) to adjust the height of each display. (See Figure 16)

NOTE: Adjust both brackets in order to maintain a level mount.

12. Use middle and lower knobs on back of interface brackets (L and M) to make plumb adjustments to each display (See Figure 16)

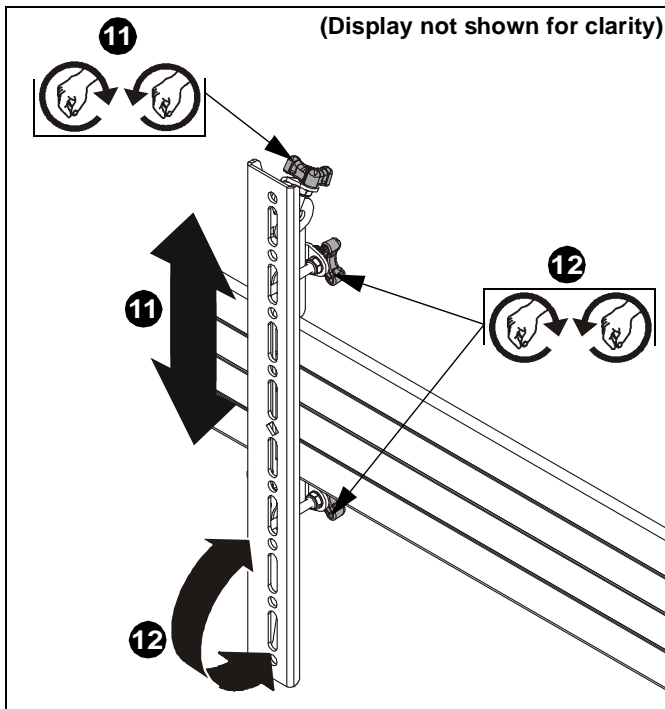


Figure 16

13. If necessary, make height adjustments to the next higher mounting rail by using adjustment points on the array heads (X). (See Figure 14)

IMPORTANT ! : Use lowest row as a guide for the higher mounting rails. Adjust higher mounting rails so that bottom of screens **NEARLY** touch top of lower mounting rail screens.

14. Repeat Steps 2 - 13 to complete installation and alignment of screens.

Adding Back Cover

1. Add back cover (Y) to array head (X) by inserting four corner tabs into four holes on back of array head. (See Figure 17)

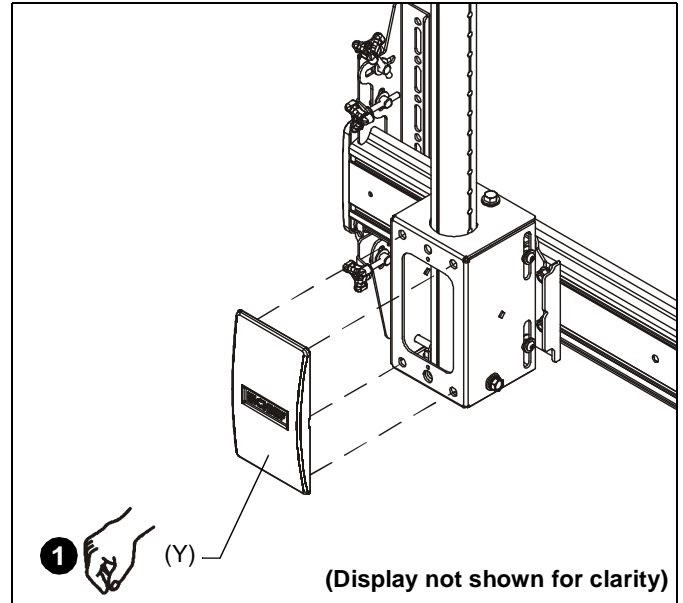
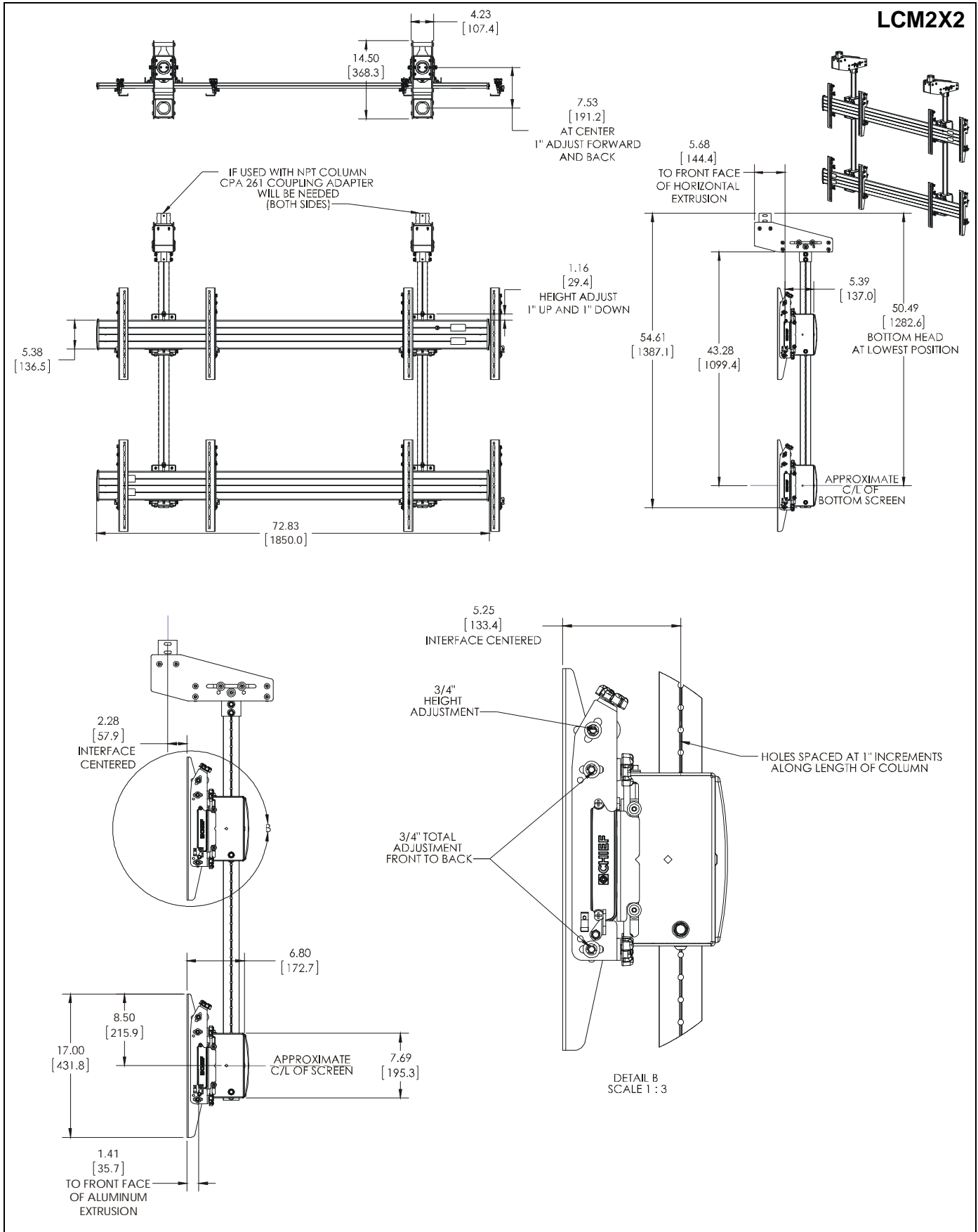


Figure 17

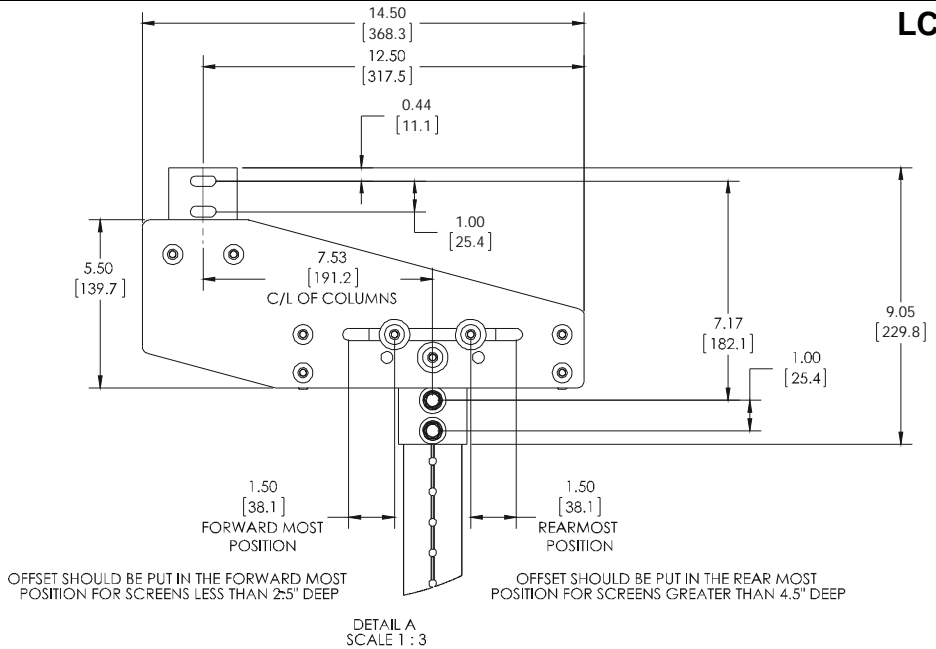
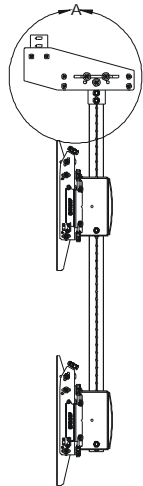
2. Repeat Step 1 for each array head.

DIMENSIONS - LCM2X2

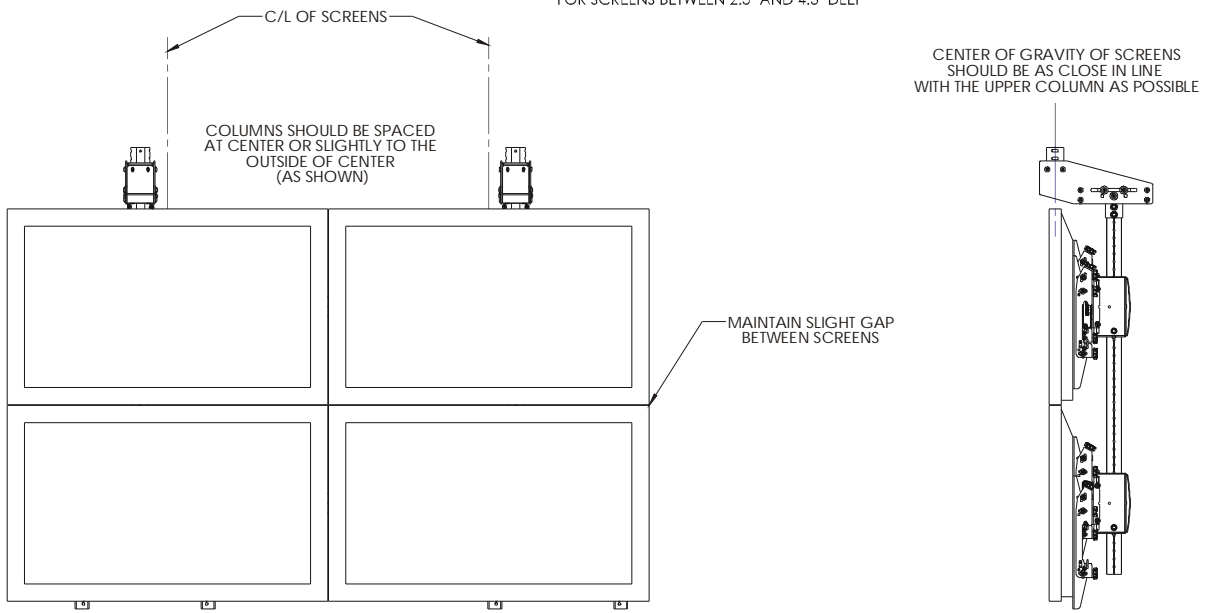


DIMENSIONS - LCM2X2 (continued)

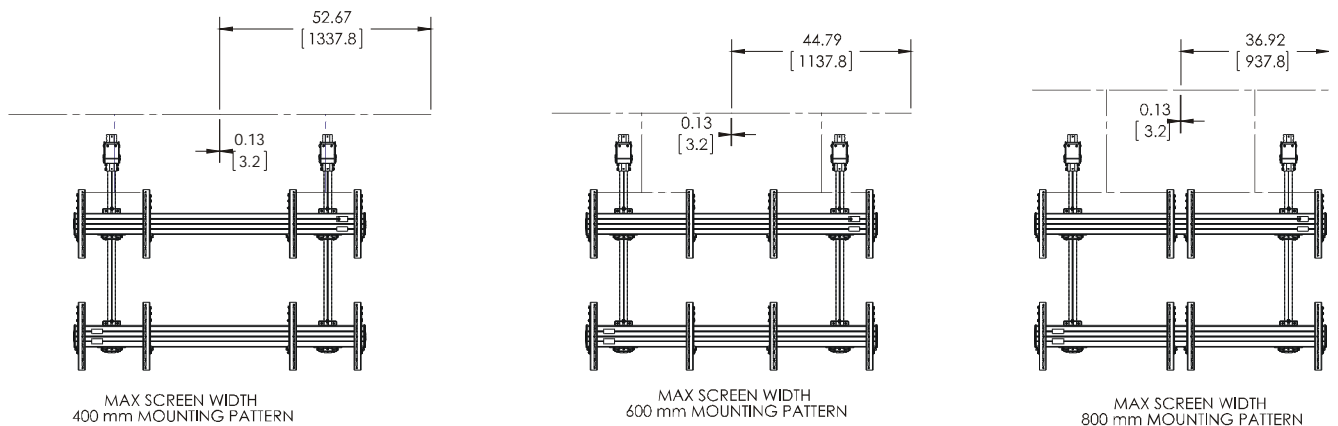
LCM2X2



DETAIL A
SCALE 1 : 3
OFFSET SHOULD BE PUT IN THE CENTER POSITION FOR SCREENS BETWEEN 2.5" AND 4.5" DEEP



SHOWN WITH SIMULATED 42" SCREENS

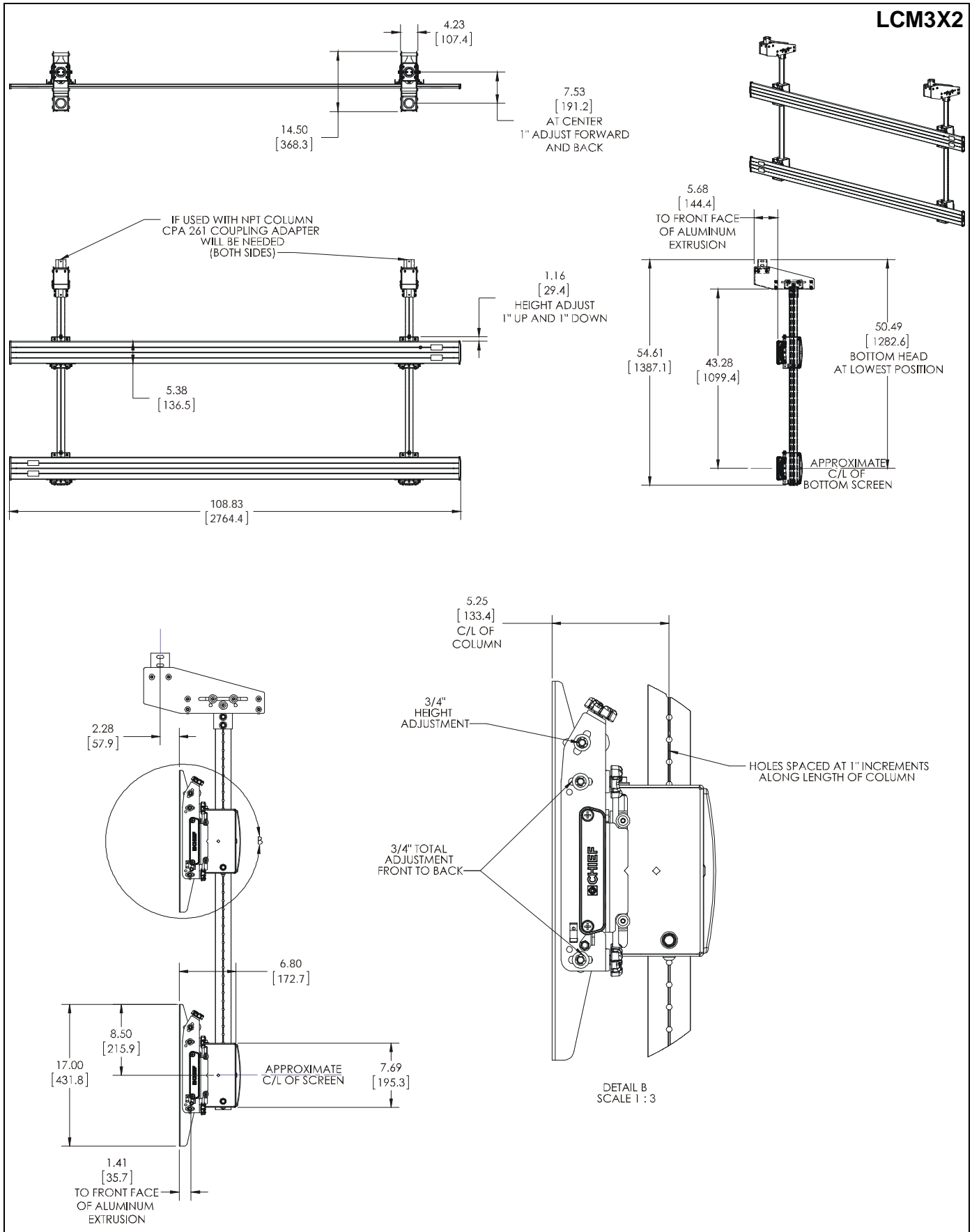


MAX SCREEN WIDTH
400 mm MOUNTING PATTERN

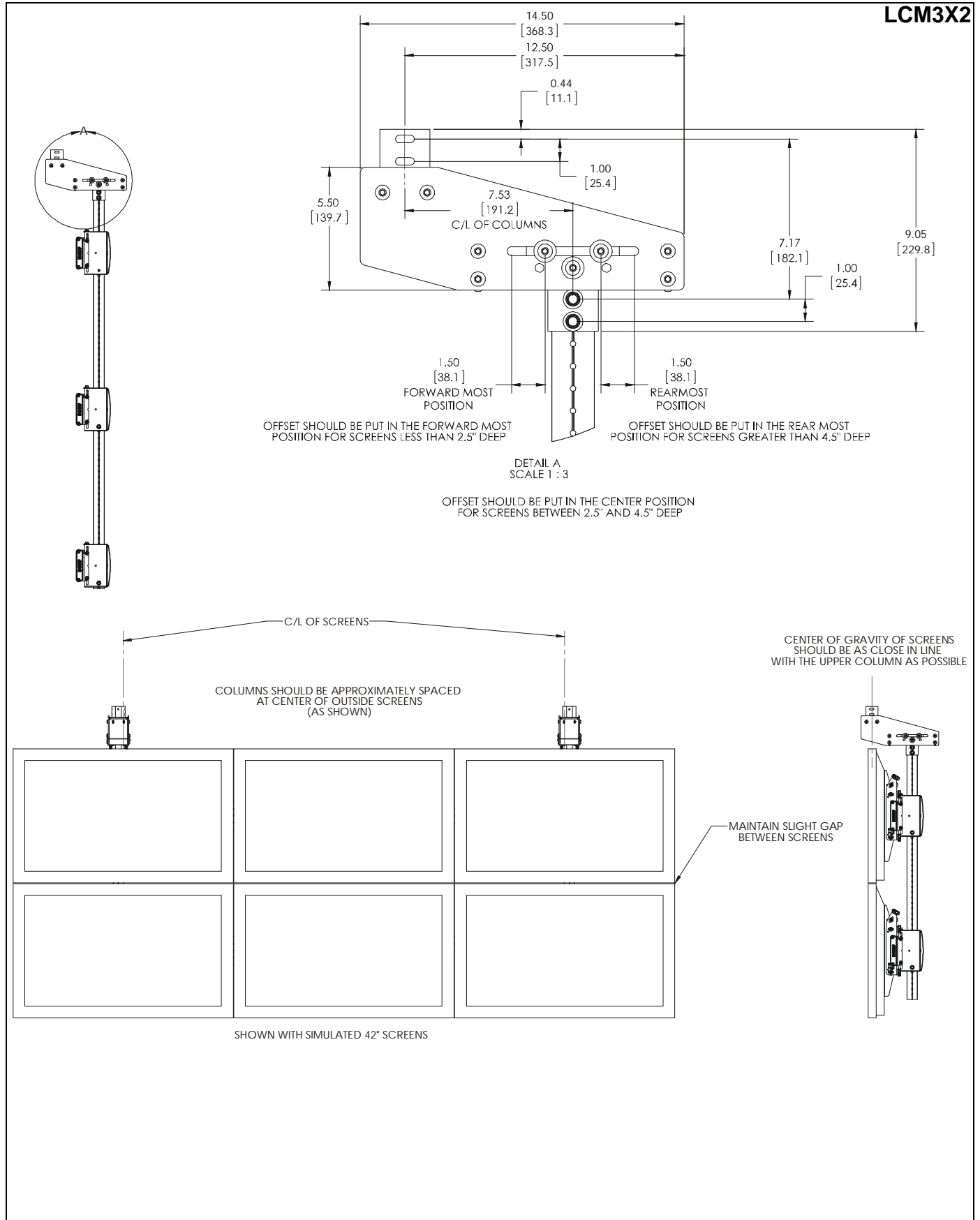
MAX SCREEN WIDTH
600 mm MOUNTING PATTERN

MAX SCREEN WIDTH
800 mm MOUNTING PATTERN

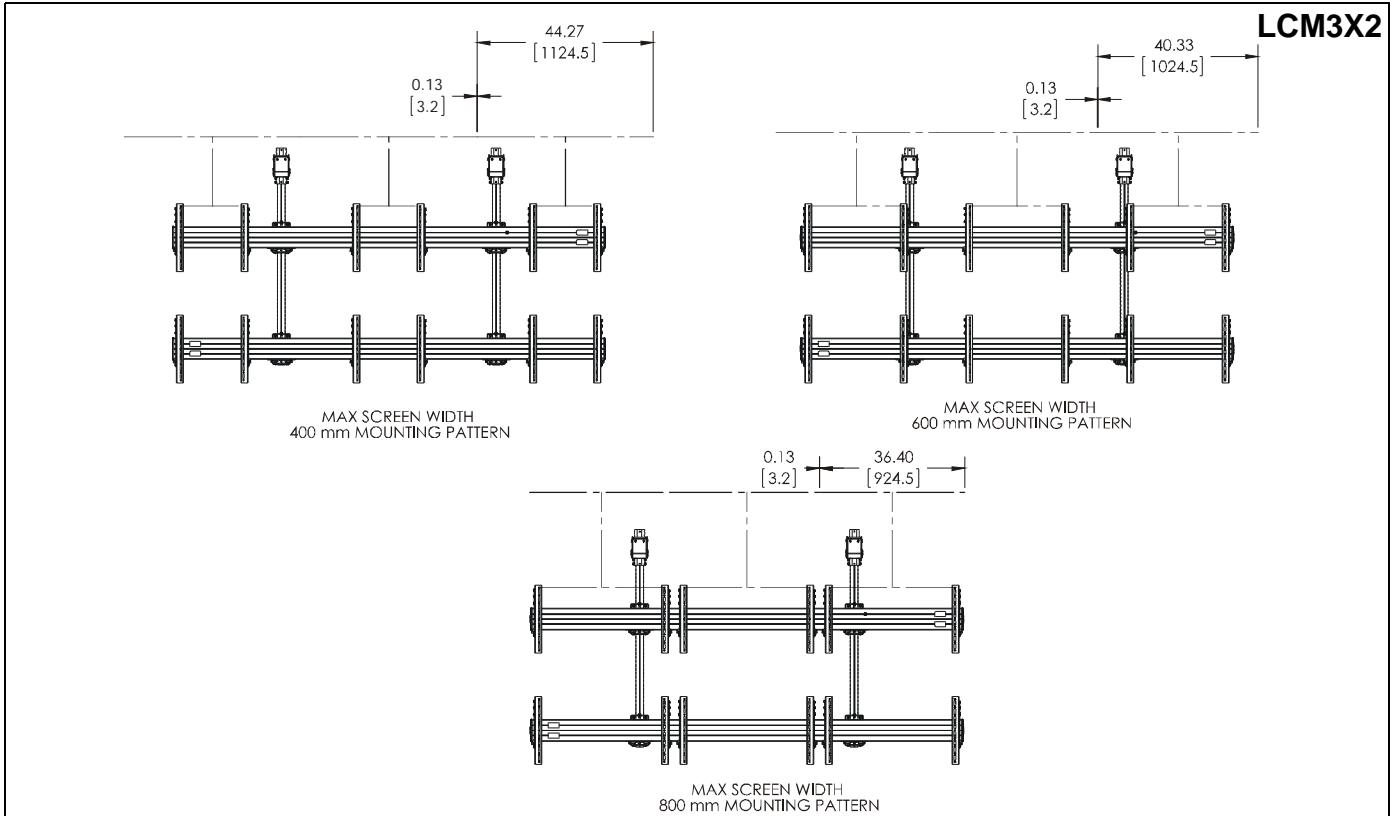
DIMENSIONS - LCM3X2



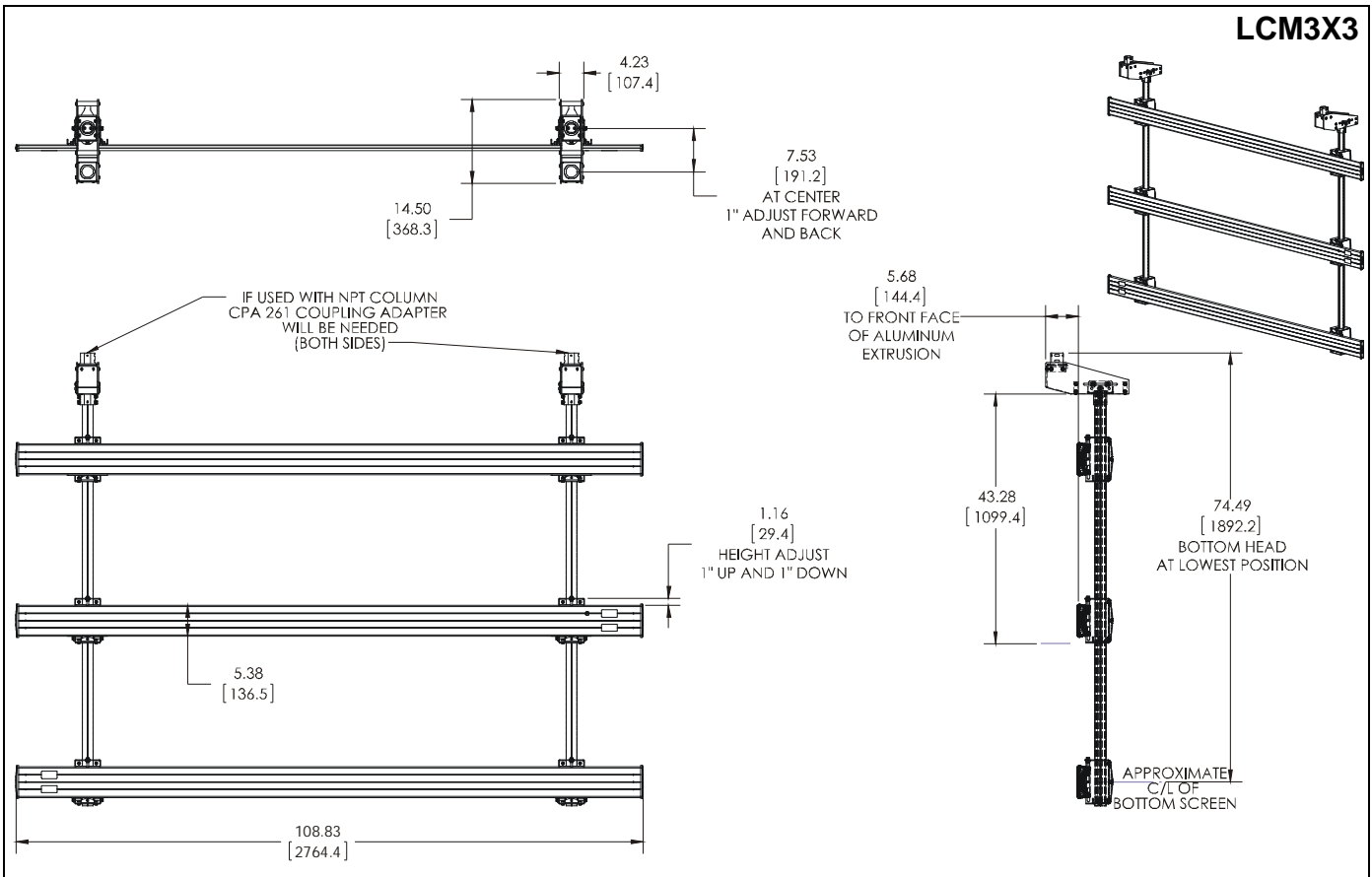
DIMENSIONS - LCM3X2 (continued)



DIMENSIONS - LCM3X2 (continued)

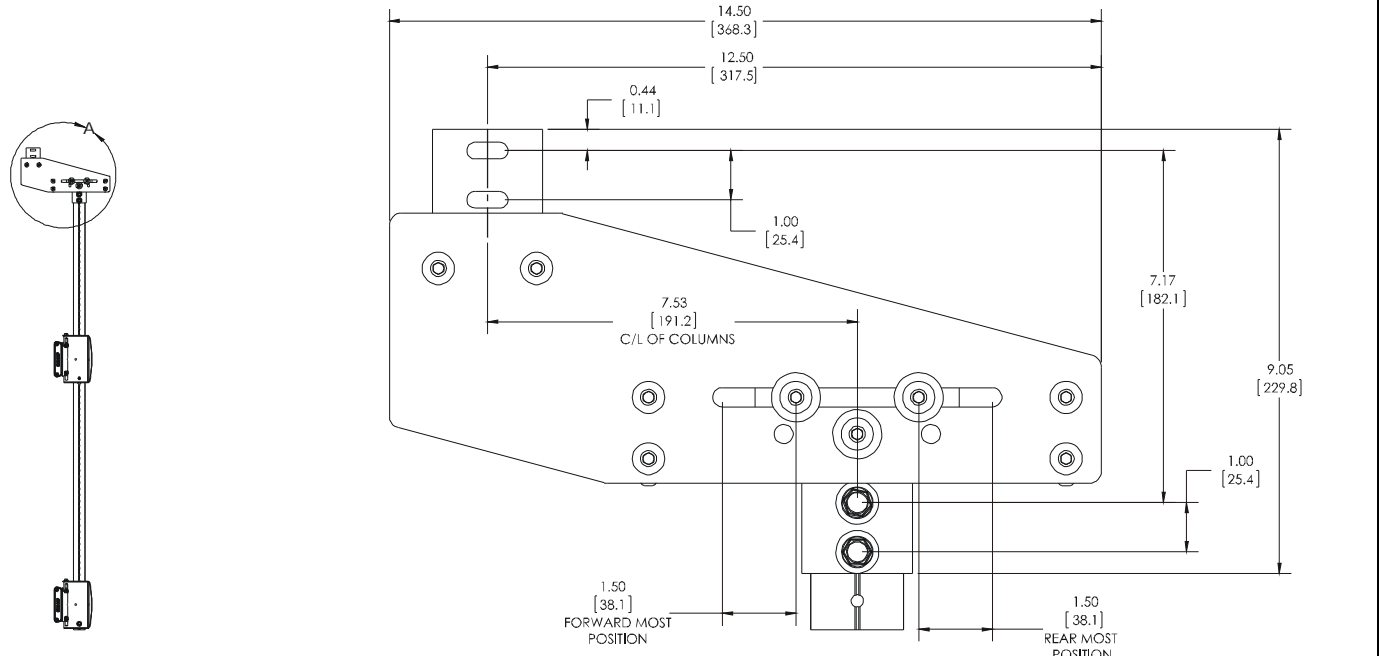


DIMENSIONS - LCM3X3



DIMENSIONS - LCM3X3 (continued)

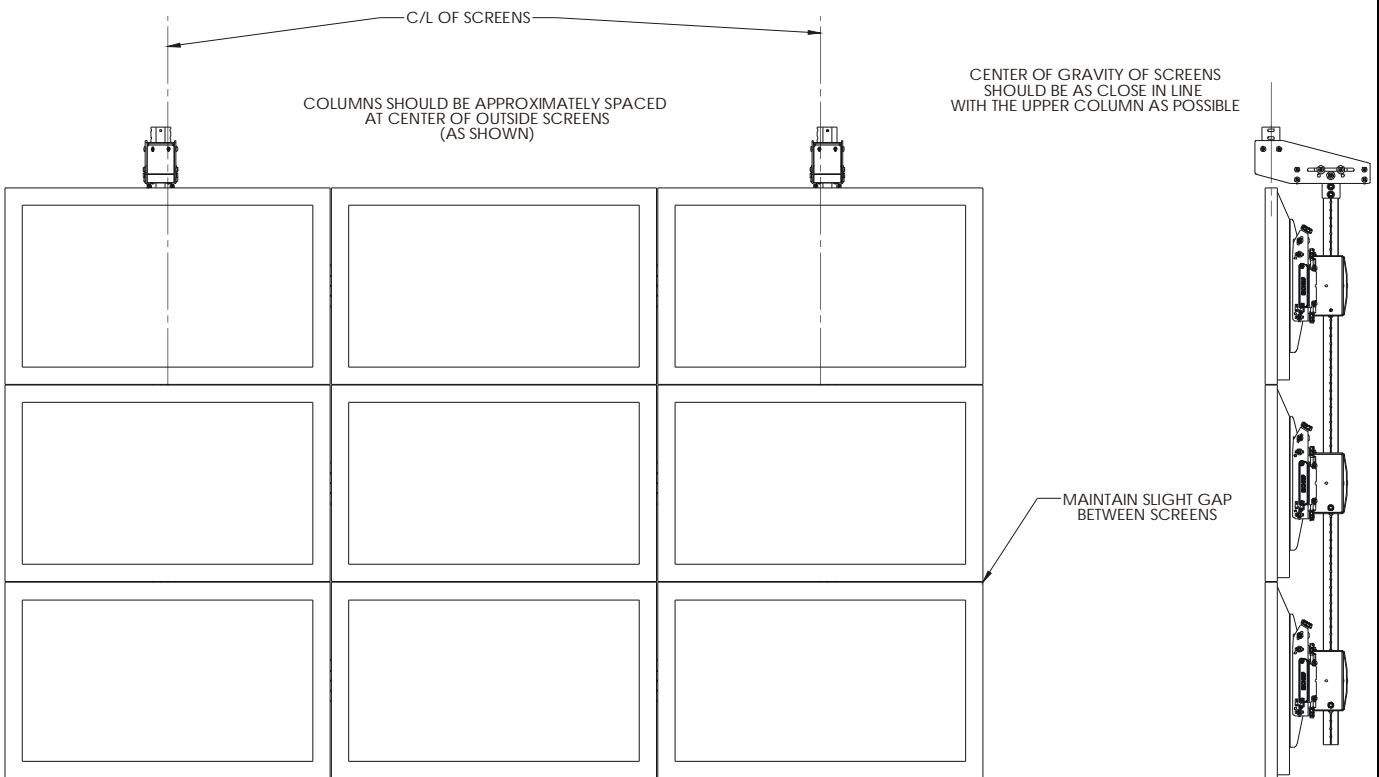
LCM3X3



OFFSET SHOULD BE PUT IN THE FORWARD MOST POSITION FOR SCREENS LESS THAN 2.5" DEEP

OFFSET SHOULD BE PUT IN THE REAR MOST POSITION FOR SCREENS GREATER THAN 4.5" DEEP

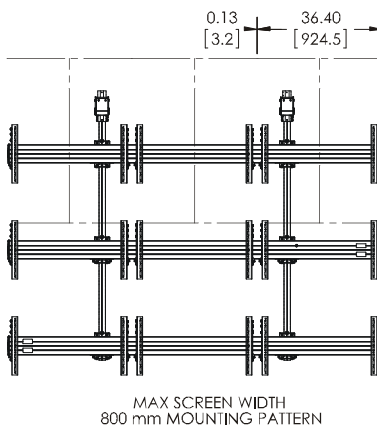
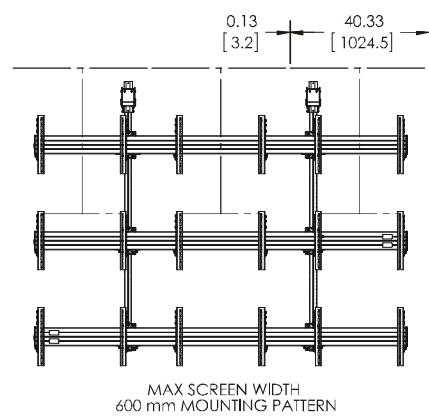
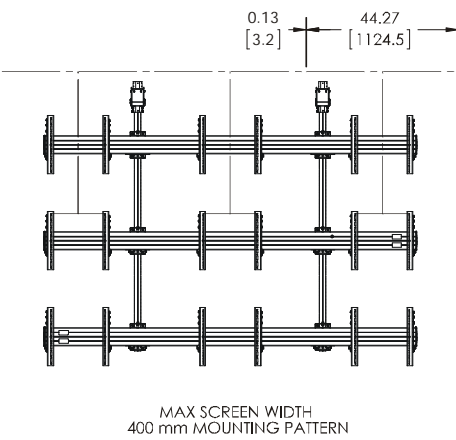
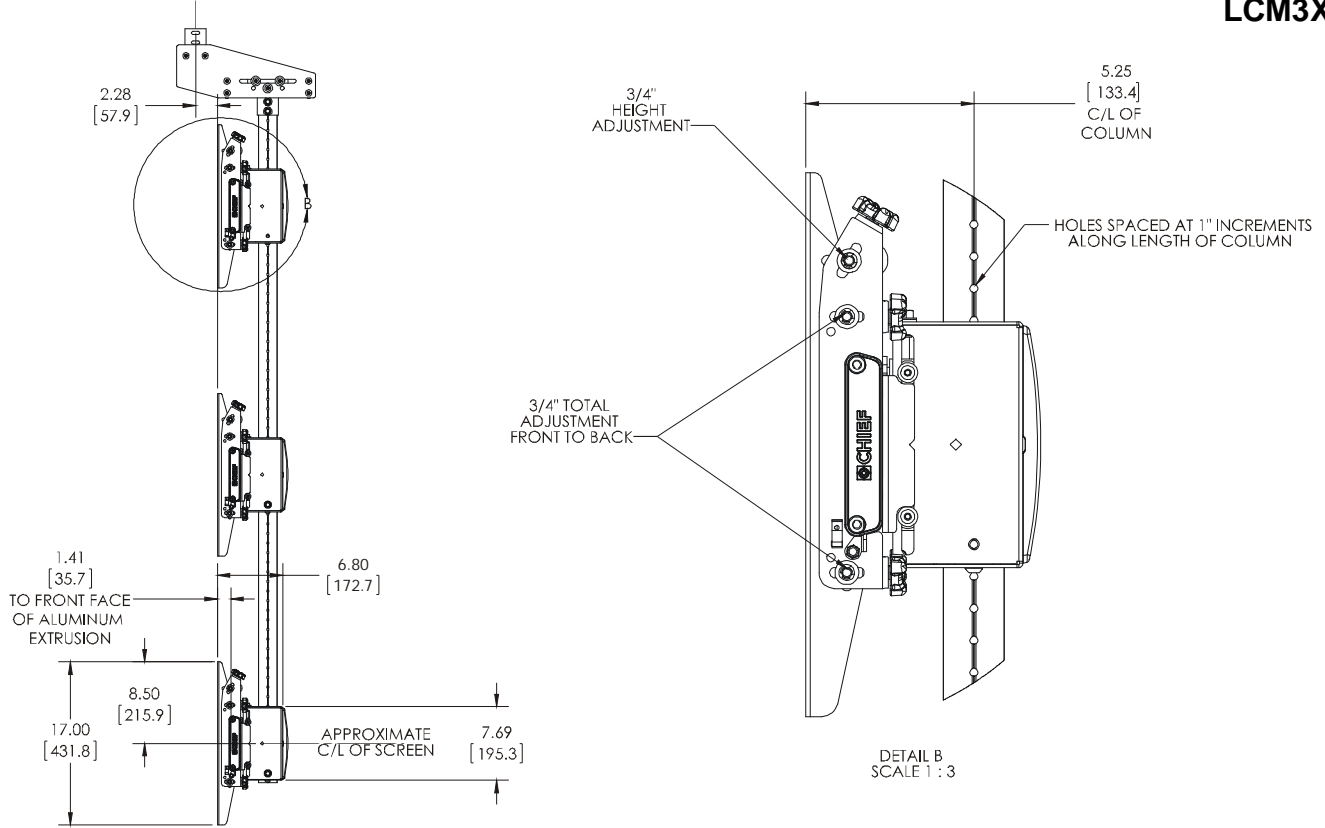
OFFSET SHOULD BE PUT IN THE CENTER POSITION FOR SCREENS BETWEEN 2.5" AND 4.5" DEEP



SHOWN WITH SIMULATED 42" SCREENS

DIMENSIONS - LCM3X3 (continued)

LCM3X3





Our Mounts. **Your Vision.**

Chief, a products division of
Milestone AV Technologies

8800-002283 Rev02
©2015 Milestone AV Technologies
www.chiefmfg.com
03/15

USA/International	A 6436 City West Parkway, Eden Prairie, MN 55344 P 800.582.6480 / 952.225.6000 F 877.894.6918 / 952.894.6918
Europe	A Franklinstraat 14, 6003 DK Weert, Netherlands P +31 (0) 495 580 852 F +31 (0) 495 580 845
Asia Pacific	A Office No. 918 on 9/F, Shatin Galleria 18-24 Shan Mei Street Fotan, Shatin, Hong Kong P 852 2145 4099 F 852 2145 4477

