

**Product specification** (design and specification subject to change without notice)

**■ DISPLAY PANEL**

Screen Size (Diagonal)	80-inch (2032 mm)
Panel type	VA / Edge-LED
Aspect ratio	16:9
Effective Display Area (W x H)	1771 x 996 mm
Number of pixels (H x V)	1920 x 1080 pixels
Brightness	700 cd/m <sup>2</sup> (typ.)
Contrast Ratio	5000:1
Dynamic Contrast	50,000:1
Max. Display Colors	approx. 1.0 Billion
Response Time	4.0 ms (G to G)
Viewing Angle (Horizontal / Vertical)	176° / 176° (CR ≥ 10)
Panel Life Time <sup>*1</sup>	approx. 50000 hours
Panel Surface Treatment	Anti glare type (Haze 5%) and Hard coating : 2H

\*1 When the panel lifetime is at 50% of the brightness under the condition of 25 degrees Celsius (+/- 2 degrees Celsius).

**■ CONNECTION TERMINAL**

HDMI IN	HDMI Type A Connector x 2	Linear PCM (Sampling frequency : 48 kHz/44.1 kHz/32 kHz)
VIDEO/ AUDIO IN (AV IN)	4 Port mini Jack (M3) x 1 (AUDIO IN Shared with DVI-D IN, PC IN)	VIDEO : 1.0 V [p-p] (75 Ω) AUDIO: 0.5 V [rms]
DVI-D IN	DVI-D 24-pin x 1	Compliance with DVI Revision 1.0 Compatible with HDCP 1.1
DVI-D OUT	DVI-D 24-pin x 1	Compliance with DVI Revision 1.0 Compatible with HDCP 1.1
PC IN	Mini D-Sub 15-pin (DDC2B) x 1	Y/G : with sync 1.0 V [p-p] (75 Ω) : without sync 0.7 V [p-p] (75 Ω) P <sub>B</sub> /C <sub>B</sub> /B : 0.7 V [p-p] (75 Ω) P <sub>R</sub> /C <sub>R</sub> /R : 0.7 V [p-p] (75 Ω) HD/VD : HD/VD TTL (high impedance)
SERIAL IN / OUT	D-sub 9-pin x 1 / x 1, RS-232C Compatible	
IR TRANSMITTER IN / OUT	Stereo Mini Jack (M3) x 1 / x 1	
AUDIO OUT	Stereo Mini Jack (M3) x 1	0.5 V [rms]
LAN / DIGITAL LINK	Variable (-∞ - 0 dB) (1 kHz 0 dB Input, 10 k Ω Load)	
USB	RJ45 x 1 100BASE-TX, compatible with PLink™ (Long reach mode compatible when using DIGITAL LINK) USB 2.0 Type A connector x 1 DC 5 V/1A (USB 3.0 is not supported.)	

**■ AUDIO**

Built in Speaker	10W (8 Ω Full Range : 15 mm x 25 mm / Φ 70 mm) x 2
Built in Speaker Out	20 W [10 W +10 W]

**■ ELECTRICAL**

Power Requirements	AC 220 - 240 V 50Hz/60 Hz
Power Consumption	380 W
On Mode Average Power Consumption*	356 W
Power Off Condition	approx. 0.3 W
Stand-by Condition	approx. 0.5 W
Apparent power	392 VA

\*Based on IEC 62087 Ed.2 measurement method

**■ MECHANICAL**

Dimensions (W x H x D)	1835 x 1060 x 82 mm
Weight	62 kg
Bezel Color	Black
Bezel Width	R/L/T/B 28.5 mm
Carton Dimensions (W x H x D)	1970 x 1191 x 351 mm
Gross Weight	73 kg
Cabinet Material	Front: Metal / Back: Metal
Pitch for Wall-Hanging	VESA Compliant 600 x 400 mm (Installed by: M6 screws / Screw hole depth 12 mm)

**■ INSTALLATION**

Orientation	Landscape / Portrait / Angle adjustment 0-45 degrees for both left and right (Landscape setting only)
Tilting Angle	0-20 degrees forward / backward with landscape / portrait setting (Angle adjustment is not possible for forward / backward tilting installation)

\*Please contact your sales representative with regard to the tilt angle before installation.

\*When installing the Display vertically, be sure that the Power Indicator comes to the lower side.

**■ ENVIRONMENTAL**

Operating Environment	Temperature: 0°C to 40°C <sup>*1</sup> : 0°C to 35°C <sup>*2</sup>
	Humidity : 20% to 80% (No condensation)
	Altitude : 0 to 2800 m
Storage Environment	Temperature: -20°C to 60°C
	Humidity : 20% to 80% (No condensation)

\*1 : for up to 1400 m altitude \*2 : for between 1400 m and 2800 m altitude

• Depending on the temperature or humidity conditions, uneven brightness may be observed. This is not a malfunction.

• This unevenness will disappear while applying current continuously. If not, consult the distributor.

**MAIN FEATURE**

USB Media Player	YES
Failover / Failback	YES
Data Cloning	YES
Multi display settings	YES
Power on screen delay	YES
Auto setting	YES
Power management	HDMI/DIGITAL LINK/PC/DVI-D
Power save	YES
Button lock	YES
Controller user level	YES
Input search	YES
6-segment colour management	YES
Gradation smoother	YES
Frame Creation	YES (Always compatible)
Dynamic backlight control	YES
Set up timer	YES
AMX D.D.	YES
Crestron Connected™	YES
Extron XTP	YES
WEB Browser control	YES
PJLink™	YES
Light ID Function compatible*1	YES
Image compatible	YES
Input Detection	YES
HDMI CEC compatible	YES
Viewer	YES
Playlist Editing Function	YES
Operating Time*2	24h/day

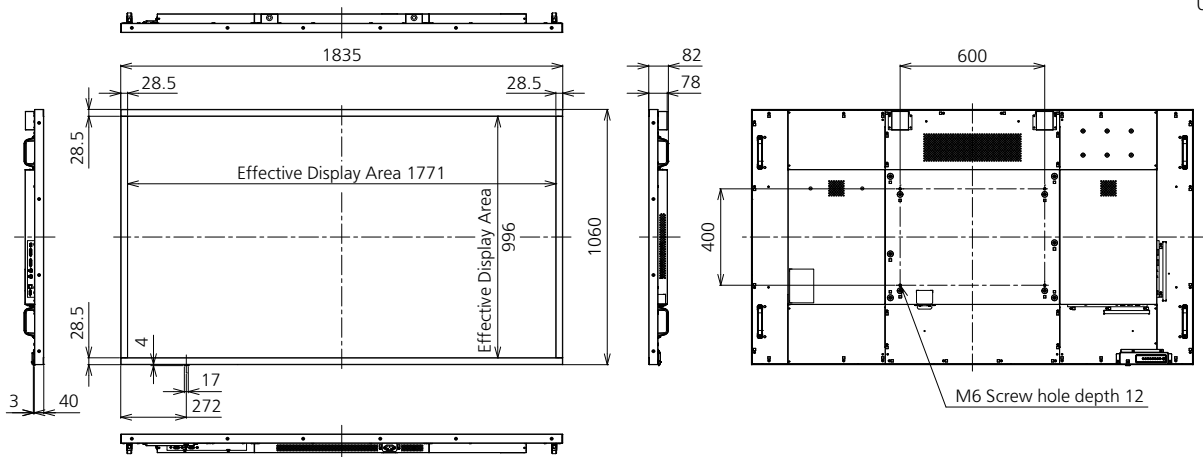
\*1 The brightness of the display panel is equivalent to about 75% its full capacity, when the Light ID is transmitted. The displayed image may flicker, but this is due to a change in the brightness during Light ID transmission and not due to trouble.  
 \*2 In case of running for a long time, the moving image is recommended to be displayed. If you display a still picture for an extended period, the image retention might remain on the screen. However, image retention can gradually disappear by displaying a moving images.

**REMOTE CONTROL TRANSMITTER**

Power Requirements	DC 3 V (2 x AAA Size batteries)
Operating distance	approx. 7 m*
Weight	approx. 63 g
Dimensions (W x H x D)	48 x 134 x 20 mm

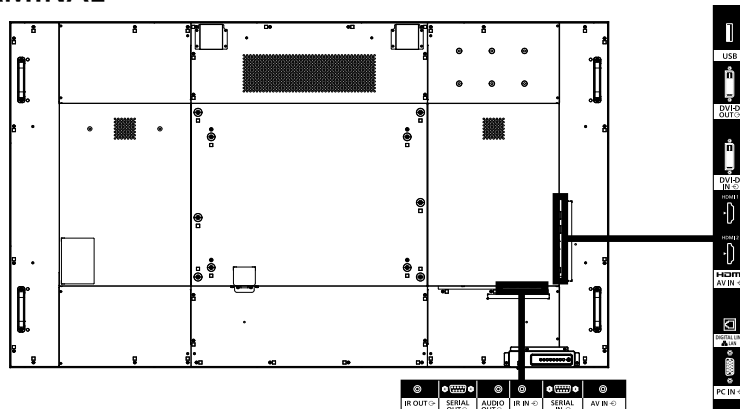
\*When operated directly in front of receptor.

**DIMENSIONS**



Cautions: This drawing is not a scale  
Units : mm

**CONNECTION TERMINAL**



**STANDARD (CERTIFICATIONS)**

SAFETY REGULATIONS	EU:EN60950-1:2006 + A11:2009 + A1:2010 + A12:2011+A2:2013 BEAB approval IEC60950-1 AS/NZS Deviation
RADIATION REGULATIONS	EN55032:2012+AC:2013 (CLASS A) EN55024:2010, EN61000-3-2:2014, EN61000-3-3:2013 IEC61000-4-2:2008, IEC61000-4-3:2010 IEC61000-4-4:2012, IEC61000-4-5:2005 IEC61000-4-6:2013, IEC61000-4-8:2009 IEC61000-4-11:2004 AS/NZS CISPR32:2013 RCM Mark

**INCLUDED ACCESSORIES**

- AC cord (2.0 m) - Remote Control - Batteries (AAA size) x 2
- Clamper x 3 - CD-ROM / User Manual - Operating Instruction book

**Compatible Software**

Multi Monitoring & Control Software	Ver 2.0 or later
Content Management Software	Ver 3.1 or later
Video Wall Manager	Ver 1.8 or later

**OPTIONAL ACCESSORIES**

Pedestal Stand	TY-ST75PE9
Early Warning Software*	ET-SWA100series
Basic license / 3-year license	(Depending on the license type, the symbol at the end of the part number is different.)
Video wall manager Automatic Display Adjustment Upgrade Kit	TY-VUK10 (It becomes correspondence of Ver 1.8 or later)
Digital interface box	ET-YFB100
DIGITAL LINK Switcher	ET-YFB200

\*Multi-Monitoring Control Software Ver 2.0 or later is required.

\* Specifications and appearance are subject to change without notice.

**List of correspondence signals**

V : VIDEO  
 R : D-sub RGB  
 Y : YCbCr/YPbPr  
 D : DVI-D  
 H : HDMI  
 DL : Digital Link

The picture signal which can indicate this machine is as it is the following table.

Correspondence signal	Resolution (dot)	Scan rate		Dot clock rate (MHz)	Format
		Horizontal (kHz)	Vertical (Hz)		
NTSC/NTSC4.43/PAL-M/PAL60	720 x 480i	15.73	59.94	-	V
PAL/PAL-N/SECAM	720 x 576i	15.63	50.00	-	V
480/60i	720 x 480i	15.73	59.94	13.50	R/Y
576/50i	720 x 576i	15.63	50.00	13.50	R/Y
480/60i	720 (1440) x 480i <sup>2</sup>	15.73	59.94	27.00	D/H/DL
576/50i	720 (1440) x 576i <sup>2</sup>	15.63	50.00	27.00	D/H/DL
480/60p	720 x 483	31.47	59.94	27.00	R/Y/D/H/DL
576/50p	720 x 576	31.25	50.00	27.00	R/Y/D/H/DL
720/60p	1280 x 720	45.00	60.00	74.25	R/Y/D/H/DL
720/50p	1280 x 720	37.50	50.00	74.25	R/Y/D/H/DL
1080/60i <sup>1</sup>	1920 x 1080i	33.75	60.00	74.25	R/Y/D/H/DL
1080/50i	1920 x 1080i	28.13	50.00	74.25	R/Y/D/H/DL
1080/24p	1920 x 1080	27.00	24.00	74.25	R/Y/D/H/DL
1080/24PsF	1920 x 1080i	27.00	48.00	74.25	R/Y
1080/25p	1920 x 1080	28.13	25.00	74.25	R/Y/D/H/DL
1080/30p	1920 x 1080	33.75	30.00	74.25	R/Y/D/H/DL
1080/60p	1920 x 1080	67.50	60.00	148.50	R/Y/D/H/DL
1080/50p	1920 x 1080	56.25	50.00	148.50	R/Y/D/H/DL
640 x 400/70	640 x 400	31.47	70.09	25.18	R/Y/D/H/DL
640 x 400/85	640 x 400	37.86	85.08	31.50	R/Y/D/H/DL
640 x 480/60	640 x 480	31.47	59.94	25.18	R/Y/D/H/DL
640 x 480/67	640 x 480	35.00	66.67	30.24	R/Y/D/H/DL
640 x 480/73	640 x 480	37.86	72.81	31.50	R/Y/D/H/DL
640 x 480/75	640 x 480	37.50	75.00	31.50	R/Y/D/H/DL
640 x 480/85	640 x 480	43.27	85.01	36.00	R/Y/D/H/DL
800 x 600/56	800 x 600	35.16	56.25	36.00	R/Y/D/H/DL
800 x 600/60	800 x 600	37.88	60.32	40.00	R/Y/D/H/DL
800 x 600/72	800 x 600	48.08	72.19	50.00	R/Y/D/H/DL
800 x 600/75	800 x 600	46.88	75.00	49.50	R/Y/D/H/DL
800 x 600/85	800 x 600	53.67	85.06	56.25	R/Y/D/H/DL
832 x 624/75	832 x 624	49.72	74.55	57.28	R/Y/D/H/DL
852 x 480/60	852 x 480	31.47	59.94	34.24	D/H/DL
1024 x 768/50	1024 x 768	39.55	50.00	51.89	D/H/DL
1024 x 768/60	1024 x 768	48.36	60.00	65.00	R/Y/D/H/DL
1024 x 768/70	1024 x 768	56.48	70.07	75.00	R/Y/D/H/DL
1024 x 768/75	1024 x 768	60.02	75.03	78.75	R/Y/D/H/DL
1024 x 768/82	1024 x 768	65.55	81.63	86.00	R/Y/D/H/DL
1024 x 768/85	1024 x 768	68.68	85.00	94.50	R/Y/D/H/DL
1066 x 600/60	1066 x 600	37.64	59.94	53.00	D/H/DL
1152 x 864/60	1152 x 864	53.70	60.00	81.62	D/H/DL
1152 x 864/70	1152 x 864	63.99	70.02	94.20	R/Y/D/H/DL
1152 x 864/75	1152 x 864	67.50	75.00	108.00	R/Y/D/H/DL
1152 x 864/85	1152 x 864	77.09	85.00	119.65	R/Y/D/H/DL
1152 x 870/75	1152 x 870	68.68	75.06	100.00	R/Y/D/H/DL
1280 x 720/60	1280 x 720	44.76	60.00	74.48	R/Y/D/H/DL
1280 x 768/50	1280 x 768	39.55	49.94	65.18	R/Y/D/H/DL
1280 x 768/60	1280 x 768	47.70	60.00	80.14	R/Y/D/H/DL
1280 x 800/50	1280 x 768	47.78	59.87	79.50	R/Y/D/H/DL
1280 x 800/50	1280 x 800	41.20	50.00	68.56	R/Y/D/H/DL
1280 x 800/60	1280 x 800	49.31	59.91	71.00	R/Y/D/H/DL
1280 x 800/60	1280 x 800	49.70	59.81	83.50	R/Y/D/H/DL
1280 x 960/60	1280 x 960	60.00	60.00	108.00	R/Y/D/H/DL
1280 x 960/85	1280 x 960	85.94	85.00	148.50	R/Y
1280 x 1024/60	1280 x 1024	63.98	60.02	108.00	R/Y/D/H/DL
1280 x 1024/75	1280 x 1024	79.98	75.02	135.00	R/Y/D/H/DL
1280 x 1024/85	1280 x 1024	91.15	85.02	157.50	R/Y/D/H/DL
1360 x 768/60	1360 x 768	47.71	60.02	85.50	D/H/DL
1360 x 768/60	1360 x 768	47.70	60.00	84.72	D/H/DL
1360 x 768/60	1360 x 768	47.72	59.80	84.75	D/H/DL
1366 x 768/50	1366 x 768	39.55	50.00	69.92	D/H/DL
1366 x 768/60	1366 x 768	48.39	60.03	86.71	R/Y/D/H/DL
1366 x 768/60	1366 x 768	48.00	60.00	72.00	R/Y/D/H/DL
1366 x 768/50	1366 x 768	39.56	49.89	69.00	R/Y/D/H/DL
1366 x 768/60	1366 x 768	47.71	59.79	85.50	R/Y/D/H/DL
1400 x 1050/60	1400 x 1050	65.22	60.00	122.61	D/H/DL
1400 x 1050/75	1400 x 1050	82.20	75.00	155.85	R/Y/D/H/DL
1440 x 900/60	1440 x 900	55.47	59.90	88.75	R/Y/D/H/DL
1440 x 900/60	1440 x 900	55.92	60.00	106.47	R/Y/D/H/DL
1600 x 900/50	1600 x 900	46.30	50.00	97.05	D/H/DL
1600 x 900/60	1600 x 900	60.00	60.00	108.00	D/H/DL
1600 x 900/60	1600 x 900	55.99	59.95	118.25	D/H/DL
1600 x 900/60	1600 x 900	55.92	60.00	119.00	D/H/DL
1680 x 1050/60	1680 x 1050	65.29	59.95	146.25	R/Y/D/H/DL
1600 x 1200/60	1600 x 1200 <sup>3</sup>	75.00	60.00	162.00	R/Y/D/H/DL
1920 x 1080/60	1920 x 1080 <sup>4</sup>	66.59	59.93	138.50	R/Y/D/H/DL
1920 x 1080/60	1920 x 1080	67.50	60.00	148.50	R/Y/D/H/DL
1920 x 1200/60	1920 x 1200 <sup>3,5</sup>	74.04	59.95	154.00	R/Y/D/H/DL

● The signal format distinguished automatically will be sometimes indication different from an actual input signal.

\*1: When 1035/60i signal is input, it is displayed as 1080/60i signal.

\*3: Displayed with image elements thinned out in the image processing circuit.

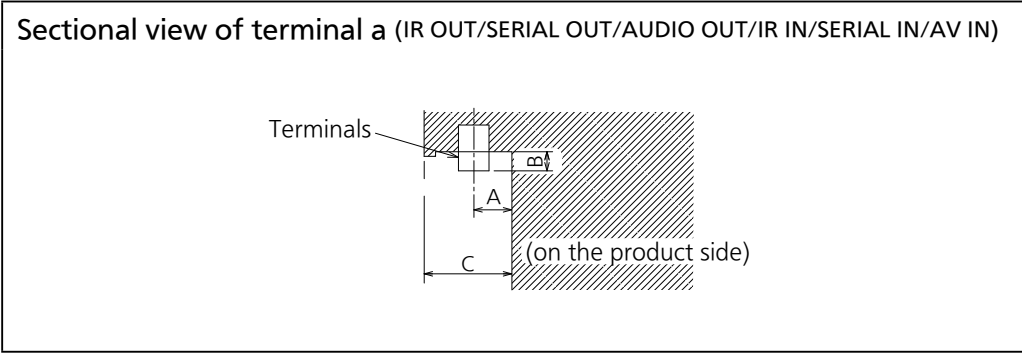
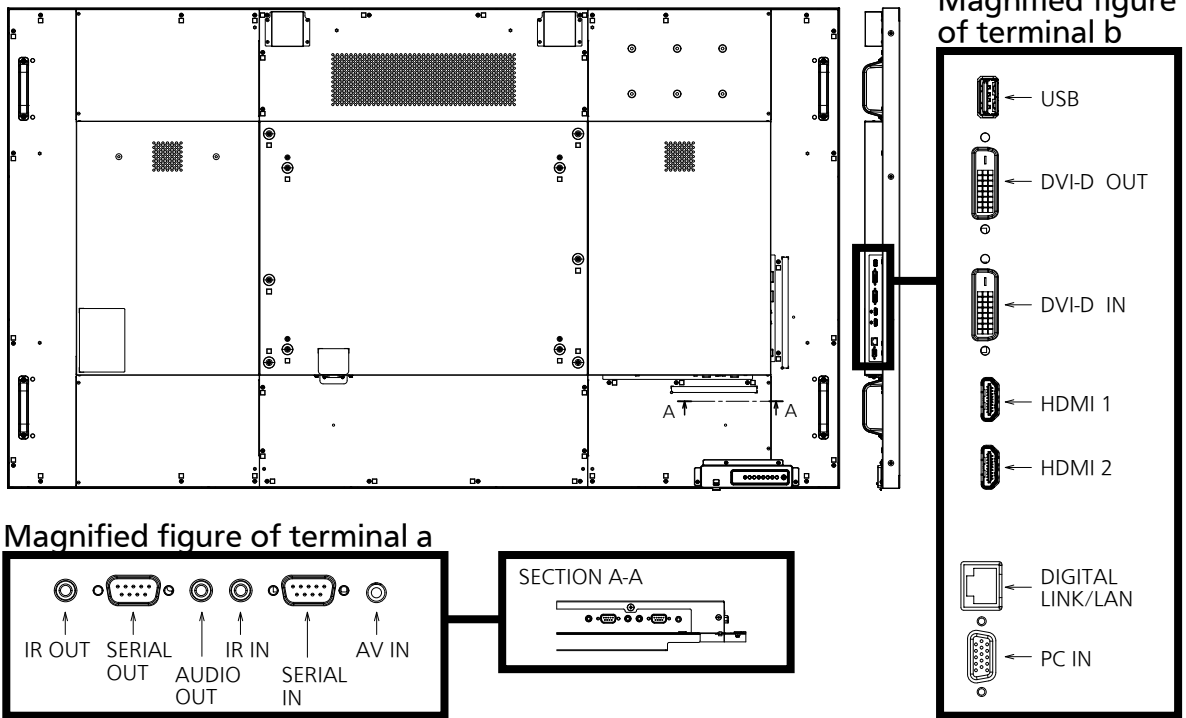
\*5: Not supported when [DIGITAL LINK mode] is set to [Long reach]

\*2: Pixel-Repetition signal (dot clock frequency 27.0 MHz) only

\*4: Based on VESA CVT-RB (Reduced Blanking) standard

**Drawing of terminals**

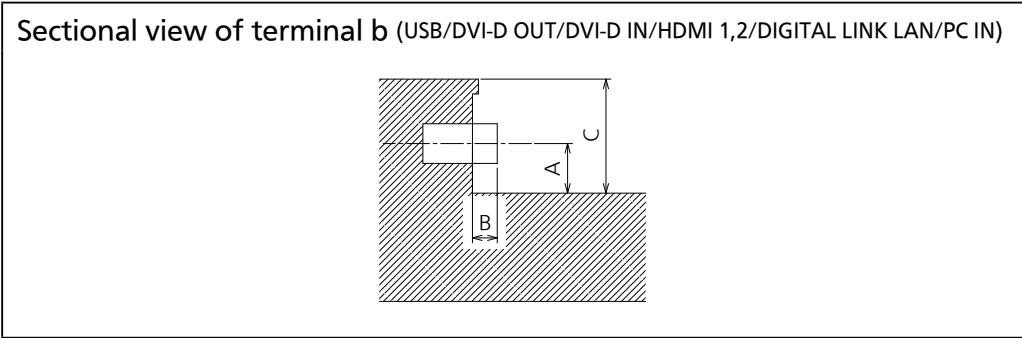
View from back



**Terminal a**  
80SF2HW Terminal (Side)

Units : mm

	IR IN/OUT	SERIAL IN/OUT	AUDIO OUT	AV IN
A		17.3		16.5
B	2.7	5.2	2.7	1.7
C	39			



**Terminal b**  
80SF2HW Terminal (Bottom)

Units : mm

	USB	DVI-D IN/OUT	HDMI	DIGITAL LINK/LAN	PC IN
A	15.0	16.0	14.2	16.0	17.2
B		5.6			5.3
C	39				

\*Due to the construction of terminal, some types of connecting cable or USB memory device cannot be used. Be sure to use connecting cable or USB memory device after confirmation in this drawing.