



## **i3SPEAKERS** LX503 MK2 CE

### **Active Speaker System**

The LX503 MK2 CE is a 3-way stereo loudspeaker system consisting of an active and passive unit to be linked with each other. It offers an easy and flexible solution for a wide variation of applications, producing a clear and powerful sound. The integrated amplifier is capable of delivering a power of 2 x 40 Watt and has a line level input allowing the speaker system to be directly connected to audio sources such as CD players, DVD players, laptops, MP3 players or mobile phones. A volume potentiometer allows the user to adjust the level of loudness while the two band tone control allows equalization of Treble and Bass. The magnetically shielded loudspeakers ensure a complete immunity against interference and radiation caused by external devices, reducing the hum and noise to an absolute minimum.

#### **INTERACTIVE**

- Maximize interactivity with 2 x 40 Watt RMS

#### **INSPIRING**

- Stereo sound
- Easy mounting system
- Perfect combination with an i3Board / i3Projector and i3Computer

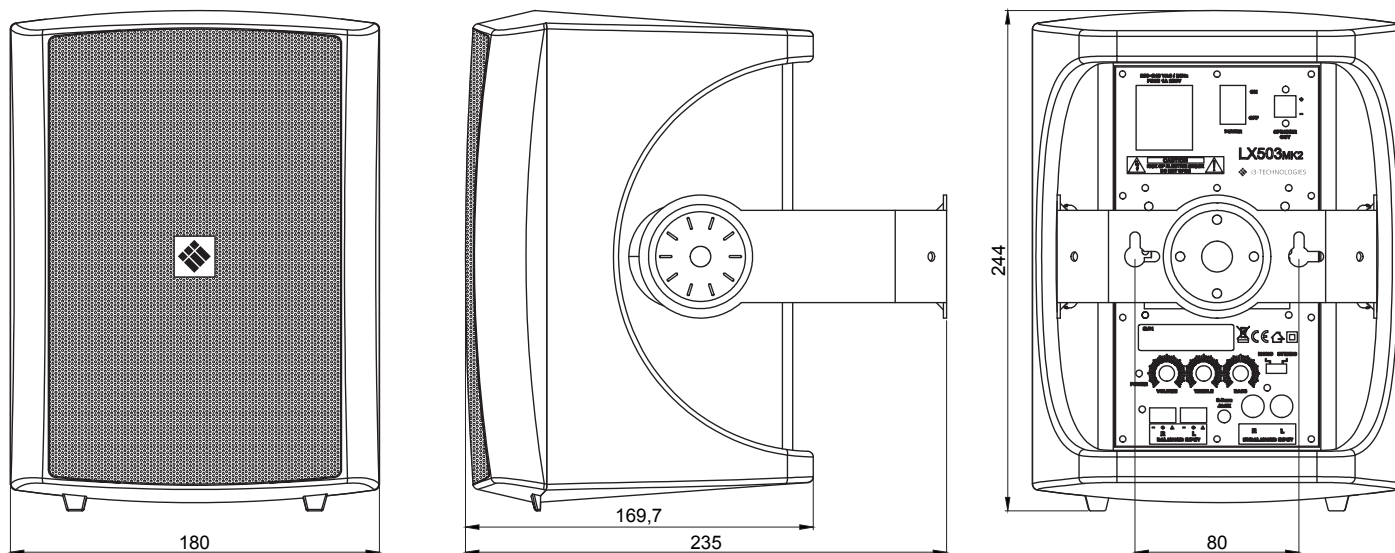
#### **INTEGRATED**

- Wall mounting brackets
- Bass and Treble equalization



SYSTEM SPECIFICATIONS		
RMS power	2 x 40 W	
Sensitivity 1W / 1m	88 dB	
Frequency response	80 Hz - 20 kHz	
PRODUCT FEATURES		
Dimensions (Width x Height x Depth)	178 x 240 x 193 mm	
Weight net (both speakers)	5.6 Kg	
Drivers	HF	¾"
	MF	1"
	LF	5 ¼"
Connectors	Power	IEC Power connector
	Input	RCA / Cinch (Unbalanced) 3.5 mm Jack (Unbalanced) 3-pin Euro-Terminal block (Balanced)
	Output	2-pin Euro-Terminal block (Speaker)
Construction	ABS	
Bracket	Coated steel	
	White	
SHIPPING & ORDERING		
Packaging	Carton box	
Shipping weight & volume (2pcs)	6.7 Kg - 0.0272 Cbm	
Warranty		
Warranty	2 years	

**TECHNICAL DRAWING**



**AUTHORISED DISTRIBUTOR**

