

Parlé VBC 2800

Video Conferencing Bar

Installation & Operation Guide



Wall and Table mounting options included

PRODUCT DESCRIPTION

Parlé VBC 2800 series model is an all-in-one conferencing bar featuring Biamp Audio Intelligence to deliver premium audiovisual experiences for small and medium conference rooms.

Parlé VBC 2800 series bars have 3 mounting options:

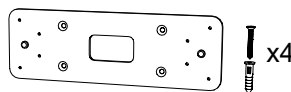
- **Table Mount** - comes attached to the bar in the box
- **Wall Mount Plate** - (included) Allows the bar to be permanently mounted to the wall (*table stand must be removed for attachment*).
- **Display Mount (optional accessory PMA 2000-DM)** - Allows the bar to be positioned above or below a TV, Monitor, or other wall mounted video device.

FEATURES

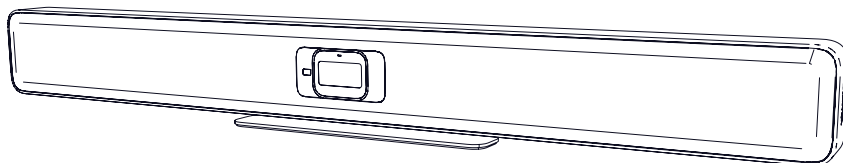
- Beamtracking microphone technology actively tracks and intelligently mixes conversations
- Deep learning noise reduction algorithm for clear voice reproduction
- Stereo smart speakers
- LED indicators for audio and video status
- Biamp Launch automated tuning system to optimize audio
- Dual lenses: 8 MP wide angle (120° horizontal field of view [HFoV]) and 50 MP (86° HFoV) for people further away
- Electric Pan/Tilt/Zoom with 16x zoom and auto framing technology to keep participants in frame
- CTIA/AHJ Compliant Audio 3.5mm jack provides support and connectivity for Assisted Listening Systems (ALS) and Audio In from selected devices

CONTENTS

- Parlé VBC 2800 series conferencing bar
- Table stand (attached)
- Wall bracket and hardware
- USB-C cable
- 60W Power supply with cord
- Audio Y Cable
- Wall bracket drilling template



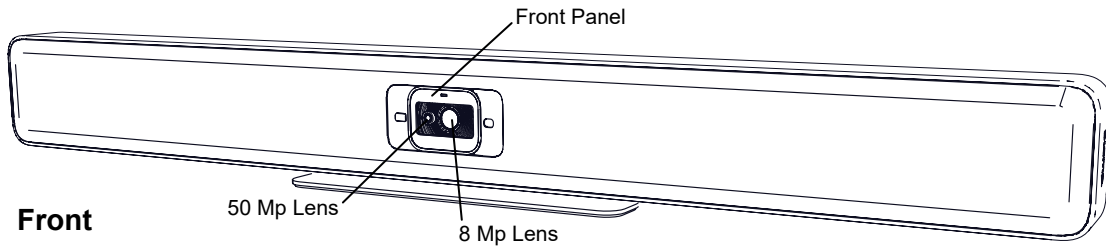
Wall Mount



YOU WILL NEED

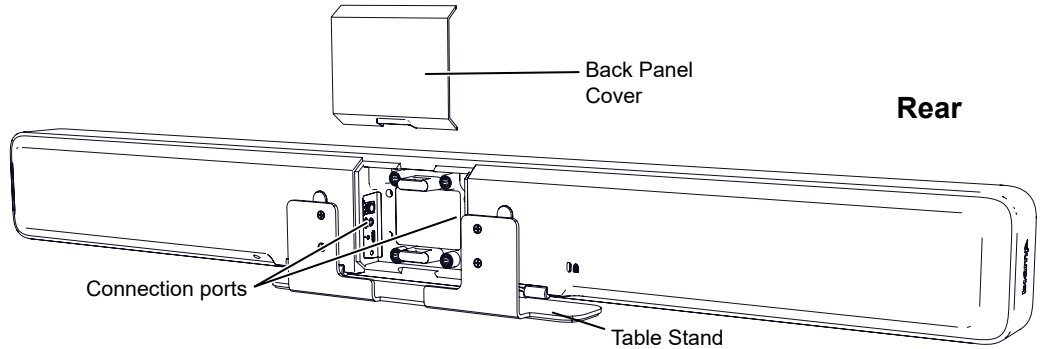
- Phillips Screwdriver
- Small flat screwdriver (to secure USB-C cable)
- Download Biamp Camera Controller software to adjust camera settings and manage firmware updates.
- Cornerstone Link: [Parle Software Firmware](#)

PRODUCT DETAILS

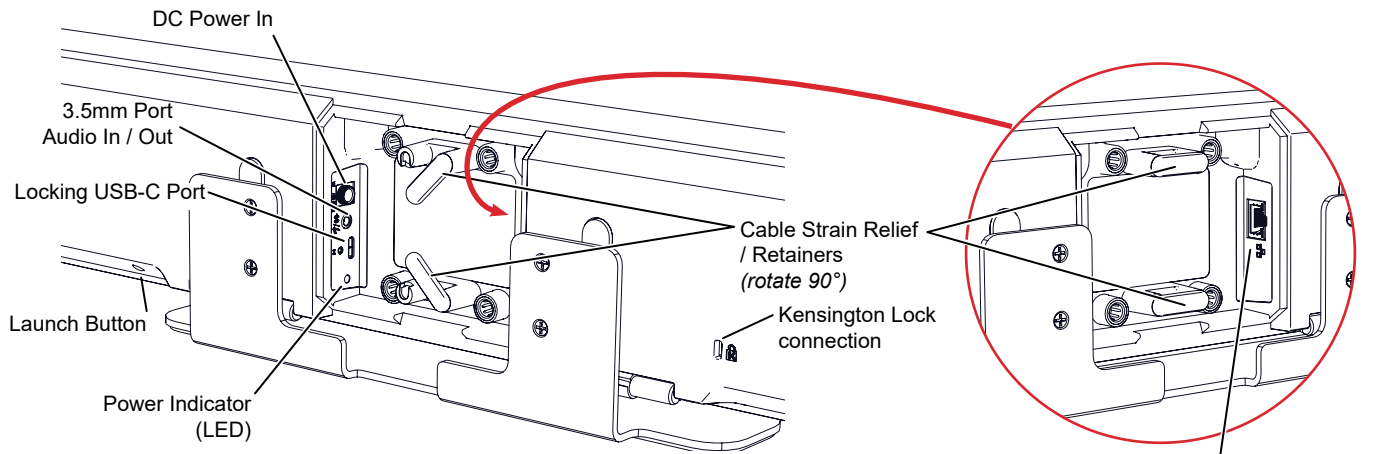


Front

The bars can be powered through the USB-C port, but the host device must be able to supply 60W over USB-C. If the host device cannot provide 60W, the included Biamp auxiliary power supply (PS-12-60) must be used.

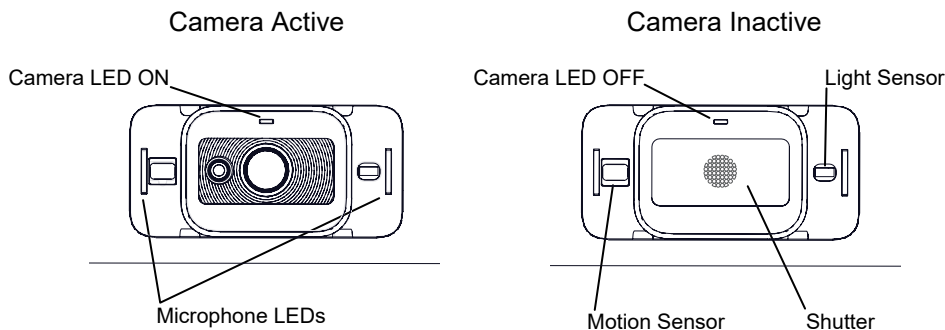


Rear



Rear / input Panel Details

FRONT PANEL / STATUS INDICATORS

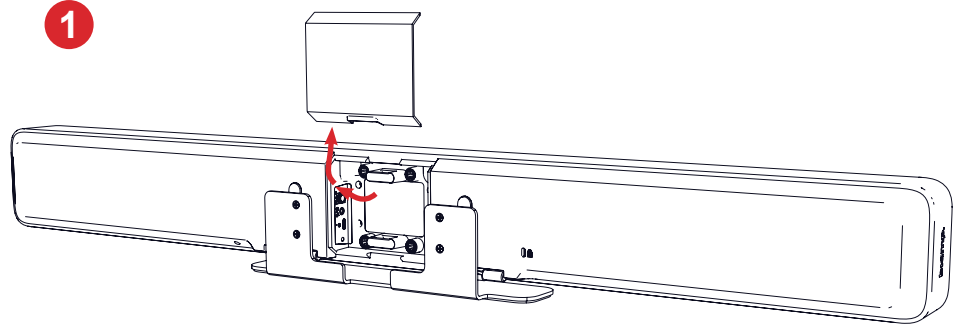


See [Status Indicators](#) section (pg 6) for behavior and the associated LED state.

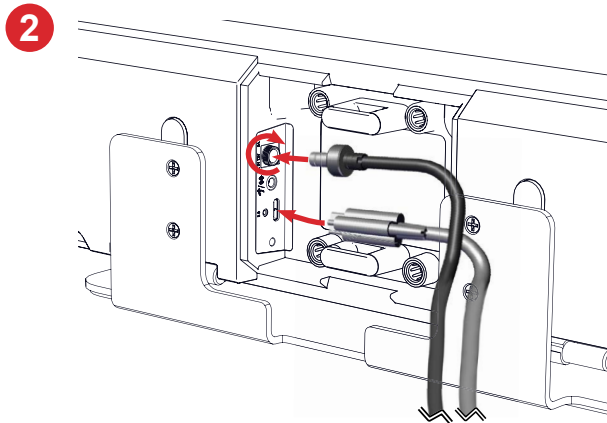
TABLETOP INSTALLATION

The bar is shipped with the table mount attached. Clear an area on a table or stand.

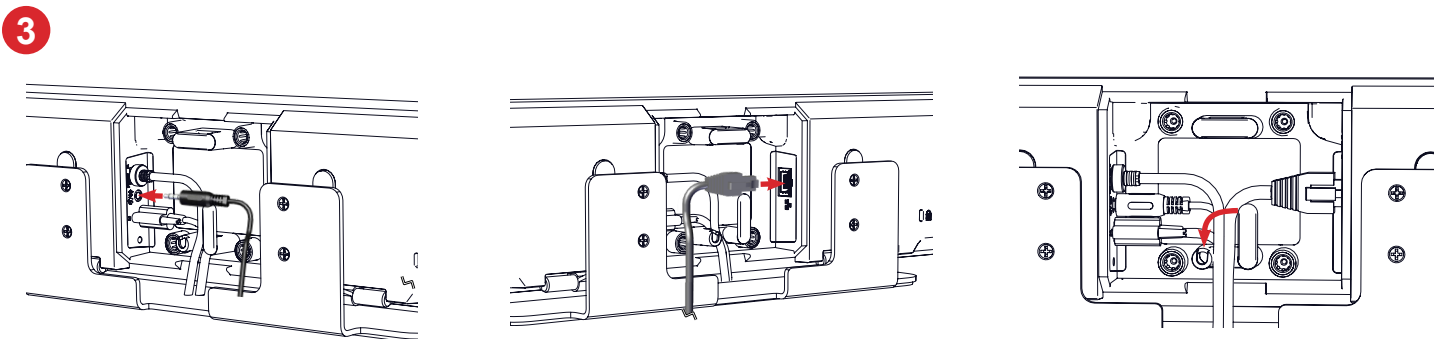
1. Pull out and remove the back panel cover to expose the power connections.



2. Connect the USB-C cable and secure with the screw. Connect the other end to the host device. If auxiliary power is necessary, connect and **fully screw** the power supply onto the threaded port, then plug the power supply into the wall.

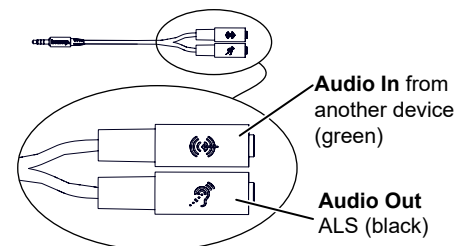


3. Attach other cables (Audio I/O, Ethernet) as necessary and route all cables through the strain relief stubs. The covers rotate up or down to contain the cables.



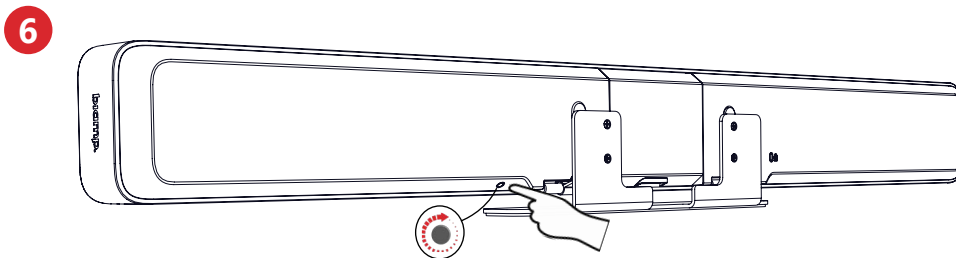
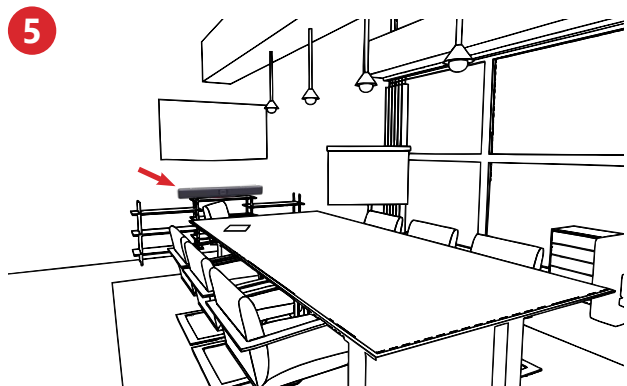
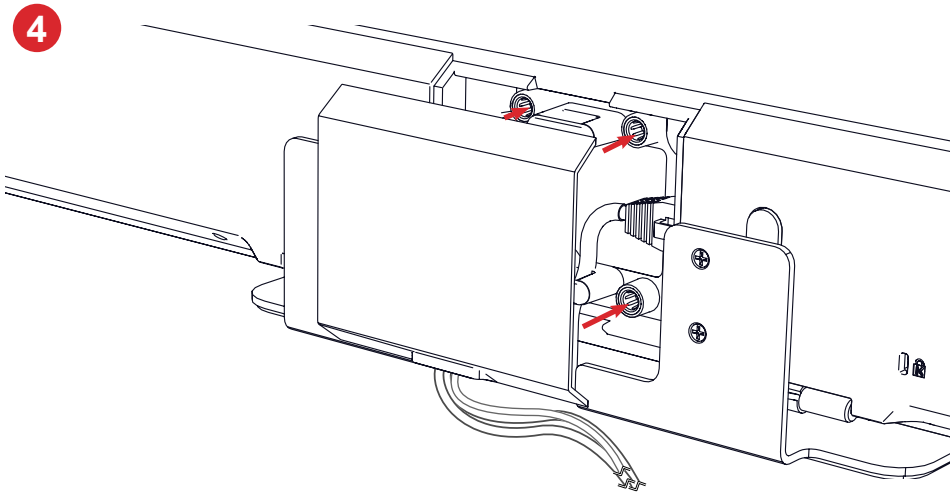
Note: The Audio I/O "Y" cable is configured to carry both signals as needed.

- Plug the Y cable into the Audio I/O port and route the cable through the cable retainer.
- Plug the exterior device cable into the appropriate end of the Y cable. See detail at right.
- Additional details on connections are found on [page 7](#).



Tabletop Installation (continued)

4. Reinstall the input cover, routing the cords through the opening at the bottom of the cover.
5. Position the bar facing the conference table / occupants, and remove the film covering the center glass.
6. Press the Launch button (location shown), and allow Launch to optimize the audio for the room.

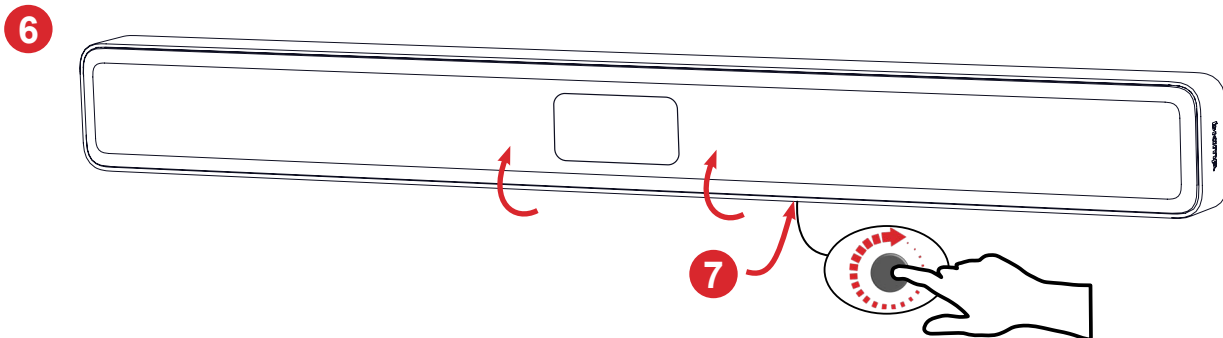
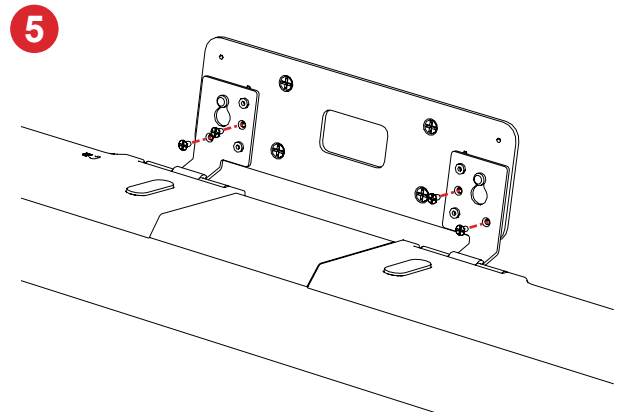
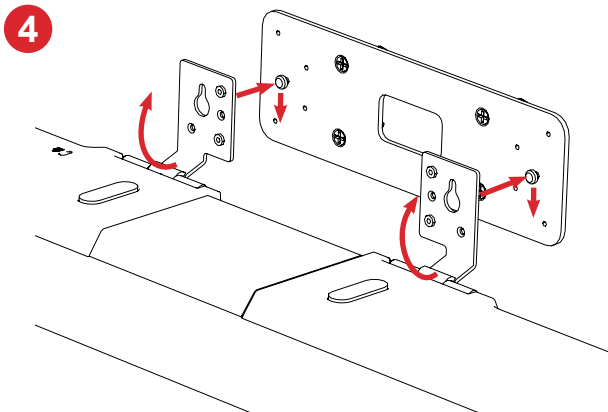
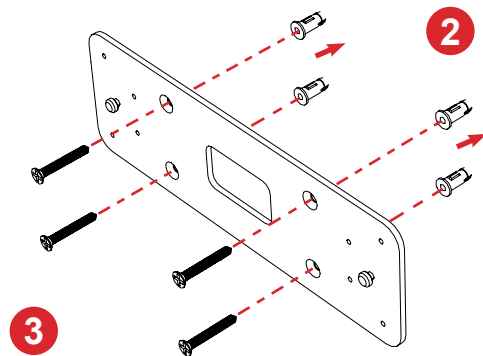
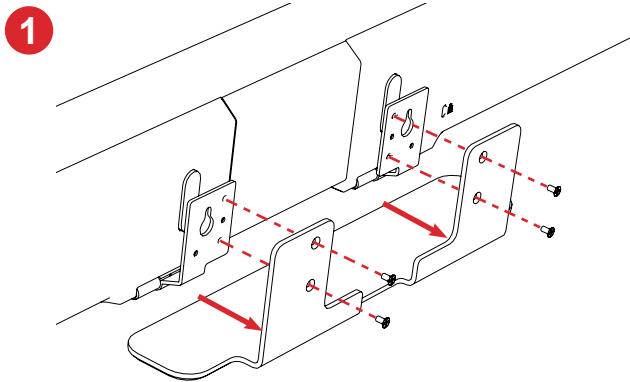
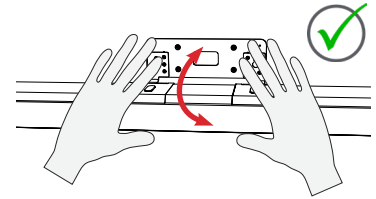


WALL INSTALLATION

1. Remove the table stand as shown. Reserve the (4) screws for reattachment to the wall plate.
2. Use the wall plate to mark the locations, and install the anchors in the wall.
3. Attach the plate to the wall.
4. Position the bar face down and rotate the hinge plates up 90°. Hang the bar on the wall plate knobs and move it down to capture the knobs.
5. Secure the bar with screws as shown (2 on each hinge).
- Note:** Connect cables and power as noted in [Steps 1-4](#) in the tabletop installation.
6. Rotate the bar up as shown at right, and remove the film covering the center glass.
7. Press the Launch button (location shown), and allow Launch to optimize the audio for the room.

Adjusting the Bar

- To rotate the bar up or down, hold the bar on both sides of the plastic lens and apply equal rotational force with both hands.
- Don't twist the bar from the ends, or rotate the bar beyond the mechanical stops.



OPERATION

The Parlé Conferencing bars act as USB peripherals that are connected to USB host devices. Audio and video control is available to the connected host device's operating system and conferencing apps.

Biamp Launch is the smart technology to optimize the audio for the room. Pressing the Launch button customizes the audio coverage based on the room's characteristics. The green LEDs on the front panel will fade on and off slowly until Launch is initiated, and then during the Launch process. If necessary, the Launch process can be interrupted by following the factory reset procedure below.

Status Indicators (Images page 2)

Audio - Microphone LEDs: center front (behind the glass)

Active with mic UNMUTED - Green

Active with mic MUTED - Red

Inactive - OFF

Flashing slow Green - Factory reset, ready for Launch.

Video - Camera LED: above camera (behind the glass)

Active with camera ON - LED ON - White, shutter open

Active with camera OFF - LED OFF, shutter closed

Inactive - LED OFF, shutter closed

Download Biamp Camera Controller to adjust profiles, camera settings and manage firmware updates.

- Cornerstone Link: [Parlé_Software_Firmware](#)

Optional Accessories

Display Mount: (PMA 2000-DM) allows bar to be mounted on a VESA-mounted video display (above or below the display). Instructions available [here](#).

Replacement Power Supply: (PS-12-60) 60 W power supply with cord

Maintenance

Factory reset: Press & hold the Launch button for 10 seconds to revert the bar to factory settings.

Cleaning: Use a soft cloth to wipe off dust. Do not spray any cleaning product directly on the bar.

Resources

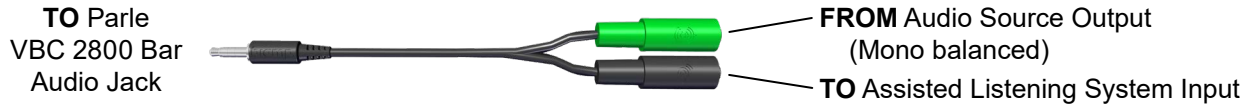
Informational Articles on Cornerstone: [Parlé](#)

Biamp Camera Controller Help: [BCC help file](#)

AUDIO I/O CABLE AND CONNECTION INFORMATION



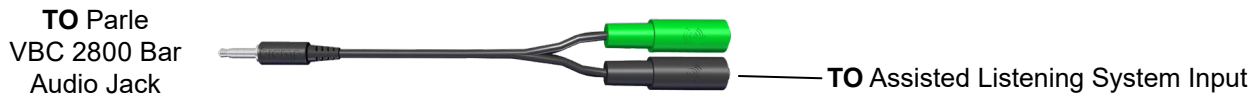
Input and Output Connection to the Parlé Bar



Connecting a Stereo Audio Source to the Parle Bar



Connecting ALS Output to Stereo Audio Input



BIAMP CAMERA CONTROLLER SOFTWARE (APP)

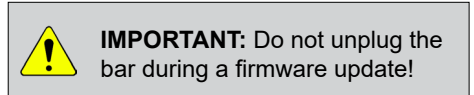
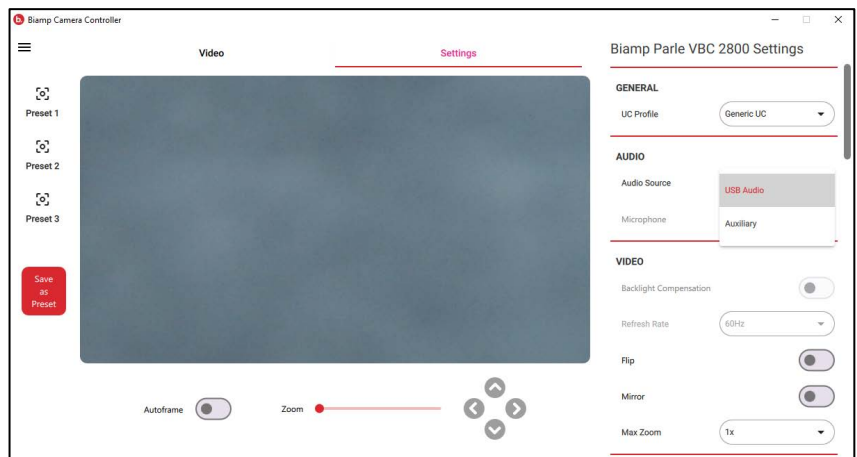
The Biamp Camera Controller provides manual control of Biamp conferencing devices. This software, available on both PC and Mac, is available from Cornerstone's link to the most recent firmware/software <[here](#)> This software will detect a connected bar and provide a preview window with additional controls on two tabs. Information about the software and settings is available in the help file: cameracontroller-help.biamp.com.

Video

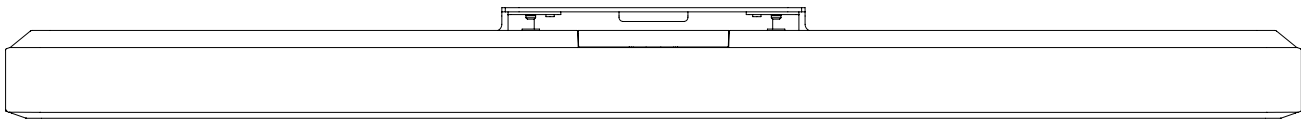
- Preset saving and recall (x3)
- Manual zoom and panning
- Enable autoframing

Settings

- UC Profile options
- Audio: Choose USB or analog Audio input; microphones are always enabled
- Video: set Backlight Compensation, Refresh Rate, Mirror, Max Zoom
- Advanced Video: Individual video settings will be saved on the bar until a UC profile change is made.
- Network: Ethernet and date/time settings
- Device & Firmware: upgrade the firmware. Download the firmware file from [Downloads](#) or the Cornerstone link <[here](#)> before instigating the upgrade function.
Note: Upgrades aren't necessary if the bar is performing well, but are necessary to take advantage of all of the setting options (UC profiles, Video, Network connectivity, etc.).
- Enable automatic updates (via Microsoft® Windows® - Windows PCs only). It is on by default when using the Microsoft Teams® profile, but can be chosen when using the other profiles. This feature needs to be disabled if you are performing a manual firmware update.

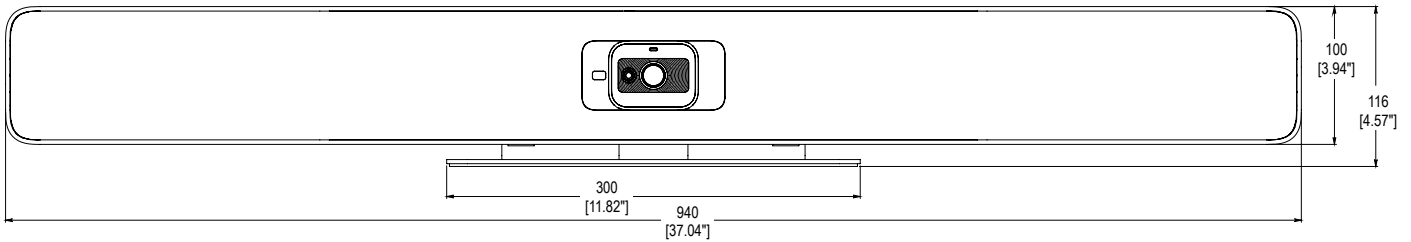


TECHNICAL DRAWINGS

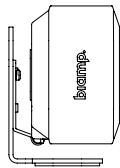


TOP

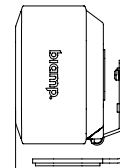
Top, Front and upper Side views show bar attached to table stand



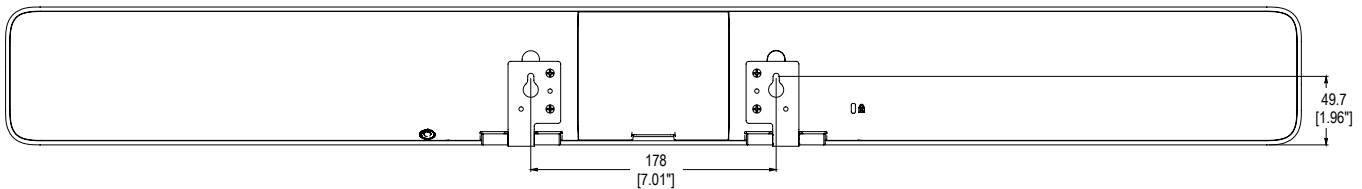
FRONT



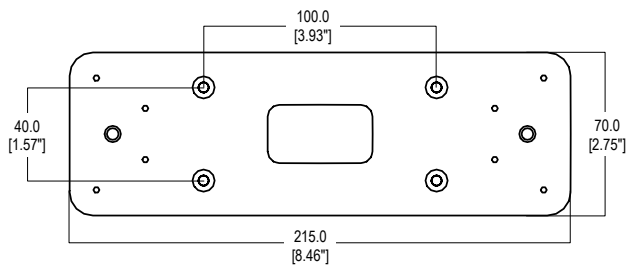
SIDE



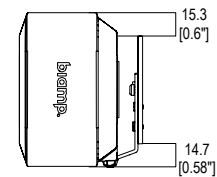
SIDE



REAR



WALL PLATE



SIDE

Side View above shows bar attached to wall mount

CONTACT US

Email: support@biamp.com

Warranty: biamp.com/legal/warranty-information

Web: support.biamp.com

Safety & Compliance: biamp.com/compliance