

## LGT60401A

### MOBILE CART

The LGT60401A Mobile Cart is designed to work with HAIO136 displays. The trolley is easy to assemble and provides a perfect mounting solution for classroom and board room environments.



### Highlights



#### Easy to Assemble

The HAIO136 mobile cart is easy to assemble and provides a strong and secure perfect mounting solution



#### Perfect Mounting Solution

The mobile cart is a perfect mounting solution for HAIO136 Displays.



#### Advanced

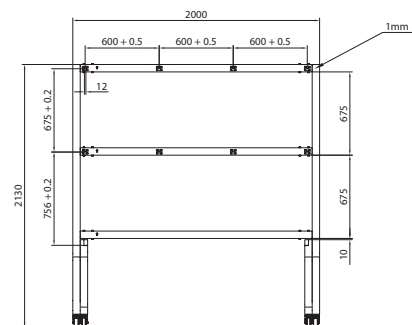
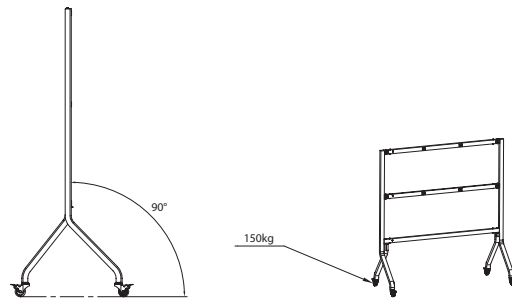
Matte gray, looks more advanced, suitable for any scenarios.

### Specifications

#### Specifications

Colour	Matte Gray
Product Size (W x H x D)	2000 x 2130 x 903mm 78.74 x 83.86 x 35.55inch
Package Size (W x H x D)	2415 x 855 x 255mm 95.08 x 33.66 x 10.04inch
Net Weight	50kg / 110.23lbs
Packed Weight	90kg / 198.42lbs
Maximum Load Bearing	-
Wheel Size	-
Silent Universal Wheels	Yes
Working Temperature	-10°C ~ +45°C
Working Humidity	<95%
Adaptive Model	Only for HAIO136 Optional

\*Product specifications may vary per region, and specifications are subject to change. This material may include corporate names and trademarks of third parties which are the properties of the third parties respectively.



Product specifications may vary per region, and specifications are subject to change. This material may include corporate names and trademarks of third parties which are the properties of the third parties respectively.