

Zoom Lens

This zoom lens is designed for use with Panasonic's applicable projectors. The lens makes it possible to vary the projection distance by changing the focal distance.

NOTE: The lens cannot be used by itself. It must be mounted onto the specified Panasonic DLP™ projector.

Specifications

F value:	1.85–2.20
Focal distance (f):	11.8–14.6 mm
Dimensions (W × H × D):	140 × 140 × 206 mm (5-1/2 × 5-1/2 × 8-1/8 inches)
Weight:	Approx. 1.3 kg (2.9 lbs)
Applicable projector:	PT-DZ870K/DZ870LK/DZ870W/DZ870LW/DW830K/DW830LK/DW830W/DW830LW/DX100K/DX100LK/DX100W/DX100LW

Dimensions

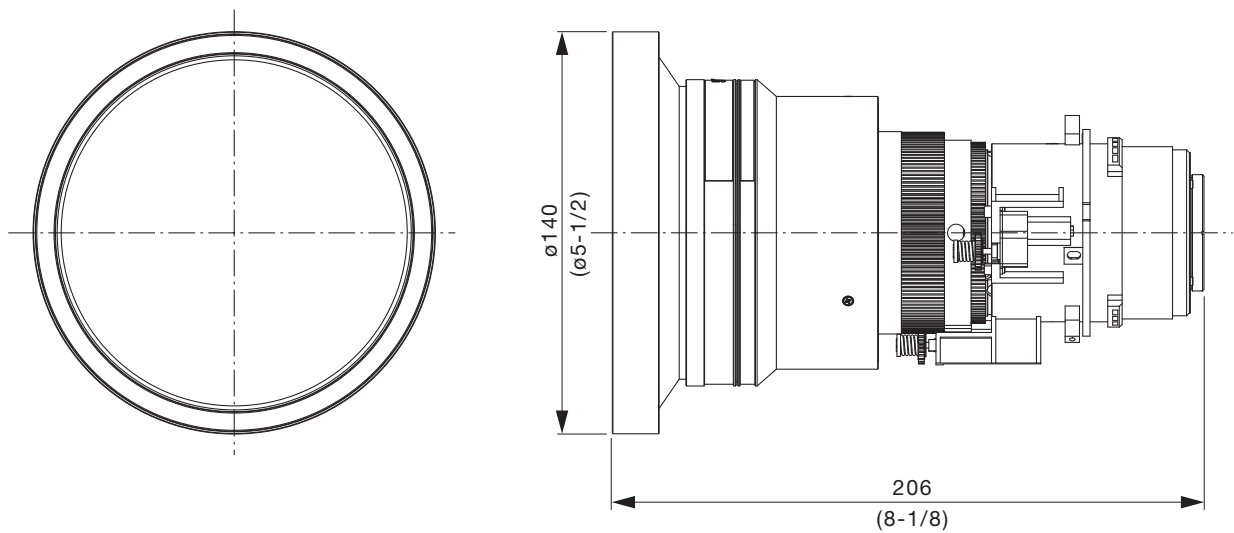
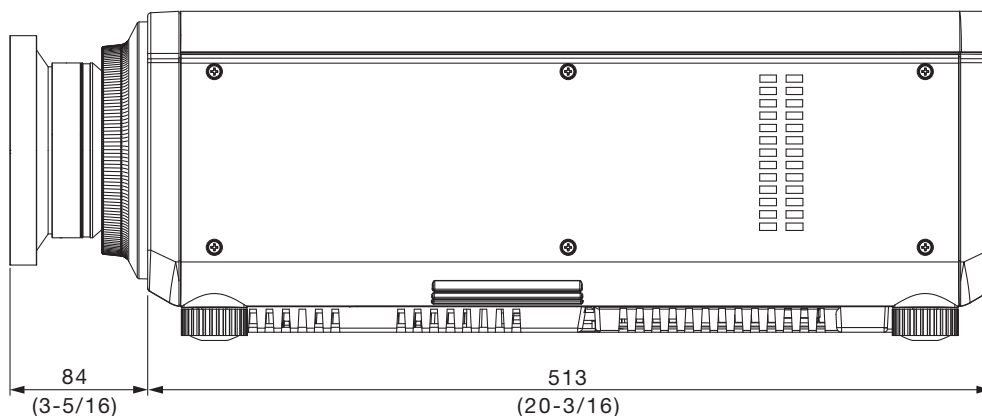


Illustration shows the lens attached to an applicable projector.



unit : mm (inch)
NOTE: This illustration is not drawn to scale.

For information on the projection distance, refer to the specifications for the projector to which the lens will be mounted.
 DLP is a trademark of Texas Instruments. Weights and dimensions shown are approximate. Specifications subject to change without notice.